

# PARTS LIST FOR LN9 AND LN9 GMA

# LN9 AND LN9 GMA SQUIRT WELDERS

Squirtgun and Cable Assembly.....	P-103 Series
LN-9 Wire Feeders and Options (LN9, -9H)	
Control Box (2 Roll & 4 Roll Drive) .....	P-127-C
Hinged Door Assembly (2 Roll & 4 Roll) .....	P-127-D
Base Platform (2 Roll & 4 Roll) .....	P-127-E
Control Panel Instrument Assembly.....	P-127-F
Meter Panel .....	P-127-G
Wire Drive, Motor & Gear Box Assembly (2Roll Drive) .....	P-127-H
Wire Drive, Motor & Gear Box Assembly (4Roll Drive) .....	P-127-L
Options.....	P-127-B.1
Conversion Kit Chart .....	P-127-T & V
<b>LN9 Wire Feeders (LN9F, -FH)</b>	
Meter Panel .....	P-127-G
Wire Drive, Motor & Gear Box Assembly (2 Roll Drive) .....	P-127-H
Wire Drive, Motor & Gear Box Assembly (4 Roll Drive) .....	P-127-L
Control Box .....	P-127-M
Door Assembly.....	P-127-N
Instrument Panel .....	P-127-S
Options.....	P-127-B.1
Conversion Kit Chart .....	P-127-T & V
<b>LN9 GMA</b>	
Control Box (2 Roll & 4 Roll Drive) .....	P-127-C
Hinged Door Assembly (2 Roll & 4 Roll) .....	P-127-D
Base Platform (2 Roll & 4 Roll) .....	P-127-E
Control Panel Instrument Assembly (Roll & 4 Roll Drive) .....	P-127-F
Meter Panel Assembly .....	P-127-G
Wire Drive, Motor & Gear Box Assembly (4 Roll Drive) .....	P-127-J
Wire Drive, Motor & Gear Box Assembly (2 Roll Drive) .....	P-127-K
Options.....	P-127-B.1
Conversion Kit Chart .....	P-127-T & V
<b>LN9F GMA</b>	
Wire Drive, Motor & Gear Box Assembly (4 Roll Drive) .....	P-127-J
Wire Drive, Motor & Gear Box Assembly (2 Roll Drive) .....	P-127-K
Control Box .....	P-127-M
Door Assembly.....	P-127-N
Instrument Panel .....	P-127-S
Meter Panel Assembly .....	P-127-G
Options.....	P-127-B.1
Conversion Kit Chart .....	P-127-T-V

# OPTIONAL EQUIPMENT LISTING

(Miscellaneous Options Available for your machine are listed below)

# Indicates a Change This Printing

## LN9 Squirt Welder Options

### Standard Options

Input Cable (K196) and Extension (LN9NE) Cable Assemblies .....	P-107-M
50 and 60# Wire Support .....	P-107-O
Wire Reel Shaft (1.00") .....	P-107-P
Hand Crank Assembly .....	P-107-R
Flux Tank (LN9S and LN9SE) .....	P-107-S
Undercarriage: K163 (Standard on LN9S and LN9SE) .....	P-107-T
Universal Wire Reel Stand (K1524-1) .....	P-289 Series
Stand Assembly for Readi-Reel (K377) .....	P-125-N
Stand Assembly for 14 Pound Reel (K378) .....	P-125-O

### Miscellaneous Options

Mechanized Travel Power Pack: K161 .....	P-107-V
600 Amp Contactor Kit .....	P-107-W.2
Mechanized Hand Travel Unit: K110 .....	P-107-X
Gear Box for K110 .....	P-107-Y
Solid State Remote Field Control: K224 .....	P-114-H (SeeIM278)
Burnback Kit (Except GMA Models) .....	Order K202
Burnback Kit (GMA Models) .....	Order K419
10 thru 60 pound Spindle Kit (2.00" Dia.) .....	Order K162H
Swivel Type Mounting Platform .....	Order K178
Squirtmobile K62 .....	IM235 (P-57-C,D,E)
Dual Process Kit: K317 .....	P-127-P
Dual Process Contactor Kit: K318 .....	P-127-U
Dual Procedure Kit; K319 .....	P-127-R
Gas Solenoid Valve Kit (Below Code 9100 Only) (Not Req'd on GMA Models) .....	Order K437
Gas Solenoid Valve Kit (Above Code 9100 Only) (Not Req'd on GMA Models) .....	Order K425
Pulse Power Feeder Conversion Kit (Below Code 9100 Only) .....	Order K442-2
Pulse Power Feeder Conversion Kit (Above Code 9100 Only) .....	Order K442-1

#

Index of Sub Assemblies

# MISCELLANEOUS ITEMS

(These Items Are Not Illustrated)

# Indicates a Change This Printing

ITEM	DESCRIPTION	PART NO.	QTY.	1	2	3	4	5	6	7	8	9
	Work Jack	T14280	1									
	Input Amphenol	S12021-12	1									
	Output Amphenol	S12021-3	1									
	Heat Sink (LN9 & LN9H) (Part of Motor)	M13579	1									
	Insulator (LN9 & LN9H) (Part of Motor)	S16267	1									
	Drive Motor Cover (LN9F & LN9FH) (Part of Motor)	S16718	1									
	Grommet (LN9F & LN9FH) (Part of Motor)	S10255-12	1									
	Hose Nipple	T15008	1									
	Inert Arc Nut	T15007-1	1									
	Handle (Optional)	S13863	1									
	Burn Back Jumper Plug	T13498-3	1									
	Collar Assembly	T12341	1									
	Button Head Socket Screw	T11551-6	1									
	Key	M8776-31	1									
	Sems Screw	T10082-26	1									
	Key	M8776-82	1									
	Sems Screw	T10082-4	1									
	Plug Button	T10397-4	1									
	Wiring Harness (Codes 8421, 8423, 8670, 8671, 8990 & 8991)	L6323-7	1									
	Wiring Harness (Codes 9089, 9090, 9131, 9756, 9959)	L6323-8	1									
	Wiring Harness (Codes 9159, 9844, 9961, 10248, 10249, 10322, 10350, 10351)	L6323-9	1									
	Wiring Harness (Codes 10355 & 10356)	L6323-10	1									
	Wiring Harness (Codes 9134, 9842, 9958, 10316 & 10327)	L7202-1	1									
	Wiring Harness (Codes 9135, 9160, 9843, 9960 & 10326)	L7271	1									
	Wiring Harness (Codes 10353 & 10354)	L7271-1	1									



Index of Sub Assemblies

# NOTES

---

Index of Sub Assemblies

Index of Sub Assemblies

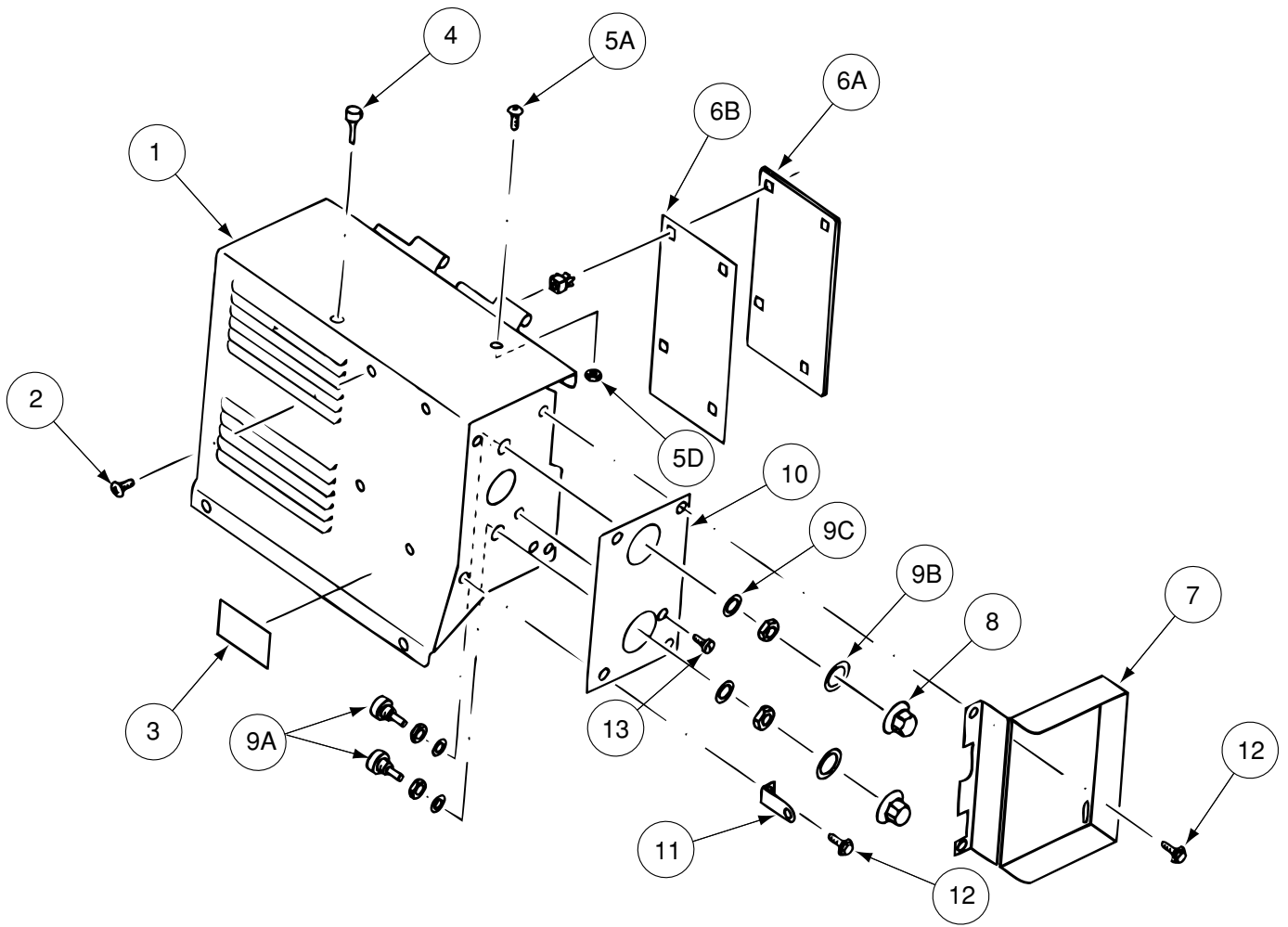
Index of Sub Assemblies

Index of Sub Assemblies

LN9 AND LN9 GMA



# Control Box LN9 & LN9 GMA (2-Roll & 4-Roll)



Index of Sub Assemblies  
Part Numbers

Index of Sub Assemblies  
Part Numbers

Index of Sub Assemblies  
Part Numbers

# Indicates a Change This Printing

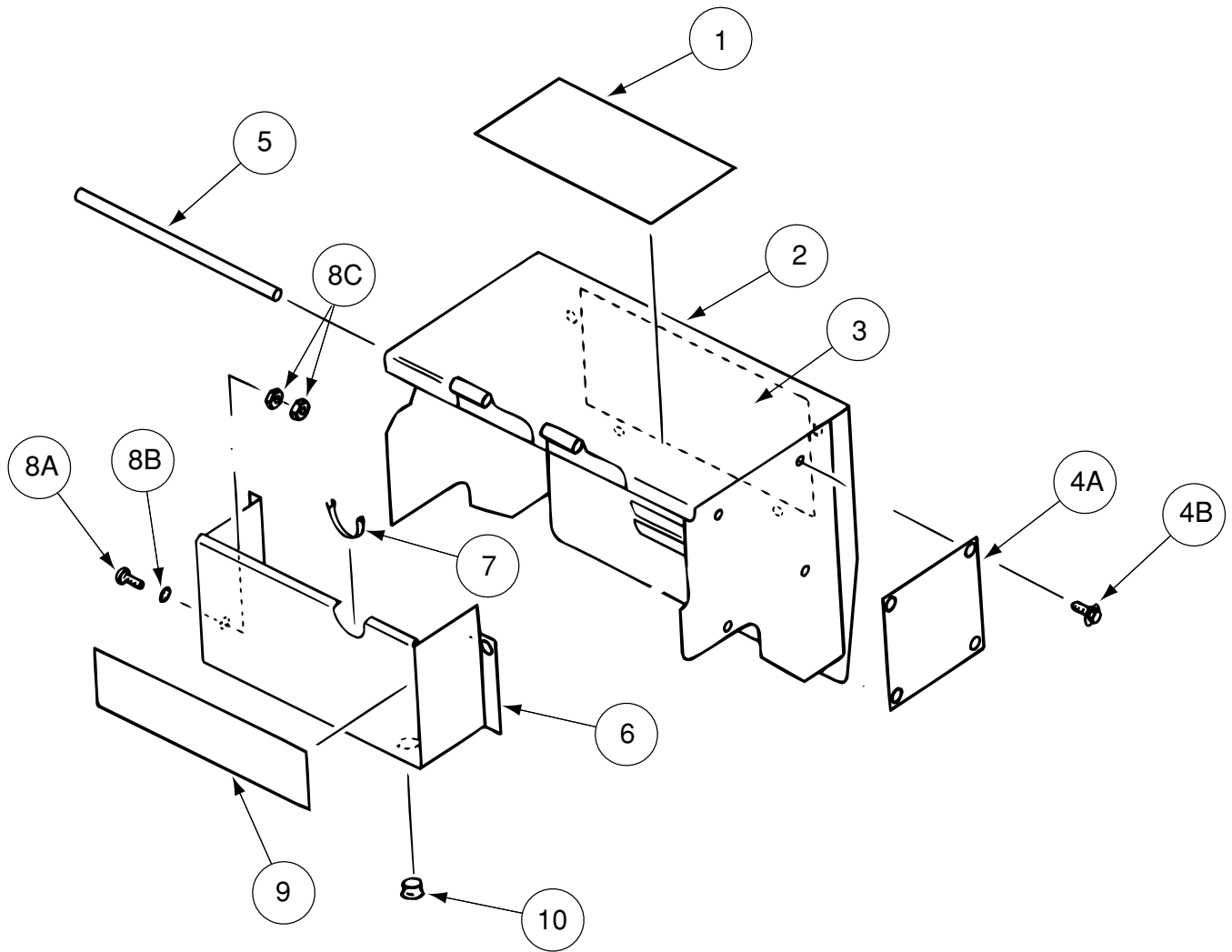
Use Column 1 for LN9, LN9H, LN9 GMA (2 Roll Drive)  
 Use Column 2 for LN9, and LN9 GMA (4 Roll Drive)  
 Use only the parts marked "X" in the column under the heading number called for in the model index page.

ITEM	DESCRIPTION	PART NO.	QTY.	1	2	3	4	5	6	7	8	9
1	Cover Assembly (Below Code 8200)	M12216-1	1	X	•							
1	Cover Assembly (Code 8200 to Code 9000)	M12216-2	1	X	•							
1	Cover Assembly (Code 9000 & Above)	M14851-3	1	X	•							
1	Cover Assembly	M14851-5	1	•	X							
2	Self Tapping Screw	S8025-14	4	X	X							
3	Warning Decal	T13470	1	X	X							
4	Door Bumper	T14882	1	X	X							
5A	#8-32 x .50 RHS	CF000033	1	X	X							
5B	Plain Washer (Not Shown)	S9262-3	1	X	X							
5C	Lock Washer (Not Shown)	T4291-A	1	X	X							
5D	#8-32 HN	CF000042	1	X	X							
5E	Lead Clamp (Not Shown)	T12563-7	1	X	X							
6A	Voltage P.C. Board (Code 7949 Only)	L6041	1	X	•							
6A	Voltage P.C. Board (Code 7949-A to 9000)	L6084	1	X	•							
6A	Voltage P.C. Board (Code 9000 to 9100)	L6084-2	1	X	•							
6A	Voltage P.C. Board (Above Code 9100)	L6084-[ ]	1	X	X							
6B	P.C. Board Insulation	S16364	1	X	X							
7	Security Panel	S16275	1	X	X							
8	Knob	T10491	2	X	X							
9	Potentiometer & Plug Asbly, Includes: (Not Shown)	S14165-173	1	X	X							
9A	Potentiometer	S16296-1	2	X	X							
9B	Felt Washer	T14034	2	X	X							
9C	Plain Washer	S9262-76	2	X	X							
9D	Insulating Tube	T7028-241	2	X	X							
10	Dial Plate	S16277	1	X	X							
11	Lock Tab	T10045-40	1	X	X							
12	Self Tapping Screw	S8025-70	4	X	X							
13	Self Tapping Screw	S8025-60	1	X	X							

Note: When ordering new printed circuit boards indicate the dash number [ ] of the "Old" board that is to be replaced. This will aid Lincoln in supplying the correct and latest board along with any necessary jumpers or adapters. The dash number brackets [ ] have purposely been left blank so as to eliminate errors, confusion and updates.

Index of Sub Assemblies  
 Sub Assembly Illustration  
 Index of Sub Assemblies  
 Sub Assembly Illustration  
 Index of Sub Assemblies  
 Sub Assembly Illustration  
 Index of Sub Assemblies  
 Sub Assembly Illustration

# Hinged Door Assembly LN9 & LN9 GMA (2-Roll & 4-Roll)



Index of Sub Assemblies  
 Part Numbers  
 Index of Sub Assemblies  
 Part Numbers  
 Index of Sub Assemblies  
 Part Numbers  
 Index of Sub Assemblies  
 Part Numbers



Use Column 1 for LN9, LN9H, LN9 GMA (2 Roll Drive)  
 Use Column 2 for LN9, and LN9 GMA (4 Roll Drive)

# Indicates a Change This Printing

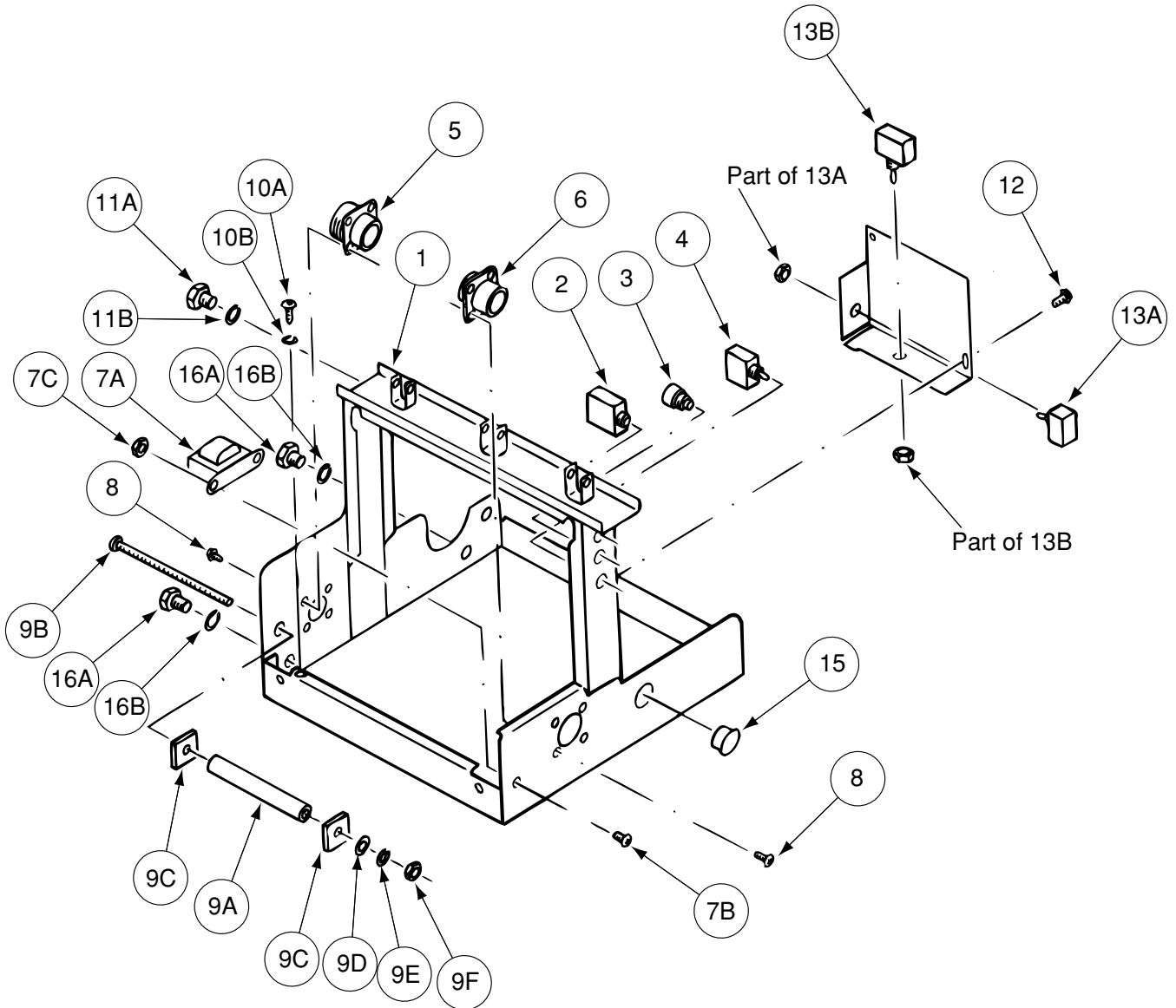
ITEM	DESCRIPTION	PART NO.	QTY.	1	2	3	4	5	6	7	8	9
1	Warning Decal	M16196	1	X	X							
2	Door Assembly (Below Code 9000)	M11490-1	1	X	•							
2	Door Assembly (Above Code 9000)	M14850-2 Ø	1	X	•							
2	Door Assembly (Red)	M16806	1	•	X							
3	Meter Panel Assembly	See P127-G	1	X	X							
4A	Nameplate (LN9 Only)	S16279	1	X	•							
4A	Nameplate (LN9H Only)	S16623	1	X	•							
4A	Nameplate (LN9 GMA)	S18003	1	X	•							
4A	Nameplate (LN9, 4 Roll Drive)	S20424-1	1	•	X							
4A	Nameplate (LN9 GMA, 4-Roll Drive)	S20424-2	1	•	X							
4B	Self Tapping Screw	S8025-70	4	X	X							
5	Hinge Pin	M8809-53	1	X	X							
6	Meter Panel Enclosure (Except LN9, GMA 2 & 4 Roll Drive & LN9, 4 Roll Drive)	S16502	1	X	•							
6	Meter Panel Enclosure (LN9 GMA 2 & 4 Roll Drive)	S18005	1	X	•							
6	Meter Panel Enclosure (LN9, 4 Roll Drive)	S16502-1	1	•	X							
6	Meter Panel Enclosure LN9 GMA, 4 Roll Drive)	S18005-1	1	X	X							
7	Grommet Strip	T12823-14	1	X	X							
8A	Thread Cutting Screw	S9225-36	1	X	X							
8B	Lock Washer	T9695-1	1	X	X							
8C	#10-24 HN	CF000010	2	X	X							
9	Drive Roll Decal	S17973	1	X	•							
9	Drive Roll Decal (Below Code 10351)	S20101	1	•	X							
9	Drive Roll Decal (Above Code 10351)	S22739-2	1	•	X							
10	Plug Button	T13597-2	4	X	X							

Ø This part is obsolete and no longer available.



Index of Sub Assemblies  
 Sub Assembly Illustration  
 Index of Sub Assemblies  
 Sub Assembly Illustration  
 Index of Sub Assemblies  
 Sub Assembly Illustration  
 Index of Sub Assemblies  
 Sub Assembly Illustration

# Base Platform LN9 & LN9 GMA (2-Roll & 4-Roll)



Index of Sub Assemblies  
 Index of Sub Assemblies  
 Index of Sub Assemblies  
 Index of Sub Assemblies

Part Numbers  
 Part Numbers  
 Part Numbers  
 Part Numbers

Index of Sub Assemblies  
Sub Assembly Illustration  
Index of Sub Assemblies  
Sub Assembly Illustration  
Index of Sub Assemblies  
Sub Assembly Illustration  
Index of Sub Assemblies  
Sub Assembly Illustration

ITEM		DESCRIPTION	PART NO.	QTY.	Use Column one for (2 Roll). Use Column two for (4 Roll)														
					1	2	3	4	5	6	7	8	9						
1		Base Assembly (Below Code 8000)	L5778-4	1	X	•													
1		Base Assembly (Code 8178 thru 8180)	L5778-5	1	X	•													
1		Base Assembly (Code 8420 & up) and (LN-9 & LN-9H Only)	L5778-7	1	X	•													
1		Base Assembly (LN9 GMA Only)	L7269	1	X	•													
1		Base Assembly (LN9, 4 Roll Only)	L8815	1	•	X													
2		Circuit Breaker (LN9) (2 & 4 Roll Drive)	T12287-10	1	X	X													
2		Circuit Breaker (LN9H, LN9 GMA) (2 & 4 Roll Drive) (Above Code 8000)	T12287-8	1	X	X													
3		Push Button Switch GLP	T14200	1	X	X													
4		Hot-Cold Interlock Switch (Above Code 8000)	T10800-12	1	X	X													
5		Input Connector	S12021-12	1	X	X													
6		Output Connector Assembly	S12021-3	1	X	X													
7A		Transformer Assembly	S14651-5	1	X	X													
7B		Sems Screw	T10082-27	2	X	X													
7C		#8-32 HN	CF000042	2	X	X													
8		Self Tapping Screw	S8025-73	8	X	X													
9A		Resistor	S10404-75	1	X	X													
9B		#10-24 x 5.00 RHS	CF000045	1	X	X													
9C		Insulating Washer	T4479-A	2	X	X													
9D		Plain Washer	S9262-27	1	X	X													
9E		Lock Washer	E106A-1	1	X	X													
9F		#10-24 HN	CF000010	1	X	X													
10A		Thread Forming Screw	S9225	4	X	X													
10B		Lock Washer	T9695-1	1	X	X													
11A		3/8-16 x .875 HHCS	CF000070	1	X	X													
11B		Lock Washer	E106A-16	1	X	X													
11C		Plain Washer	S9262-120	2	X	X													
12		Self Tapping Screw	S8025-4	2	X	X													
13		Switch Box Asbly, Includes: (Below Code 8000)	S16270 Ø	1	X	•													
13		Switch Box Asbly, Includes: (Above Code 8000) (Except LN9 GMA 2 & 4 Roll)	S16270-1	1	X	X													
13		Switch Box Asbly, Includes: (LN9 GMA 2 & 4 Roll Drive)	S16270-2	1	X	X													
13A		Polarity Switch	T13111	1	X	X													
13B		Direction Switch (Above Code 8000) (Except LN9 GMA)	T14535	1	X	X													
13B		Direction Switch (LN9 GMA)	T10800-7	1	X	X													
13C		Trigger Interlock Switch (Below Code 8000) (Not Shown)	T10800-4	1	X	X													
14		Switch Box (Not Shown)	M13576	1	X	X													
15		Plug Button (LN9, 4 Roll Only)	T10397-4	2	•	X													
16A		3/8-16 x .625 HHCS	CF000018	2	X	X													
16B		Lock Washer	E106A-16	2	X	X													
		* Resistance Coil (Below Code 9100)	T14104	1	X	•													

LN9 AND LN9 GMA

06-07-2011

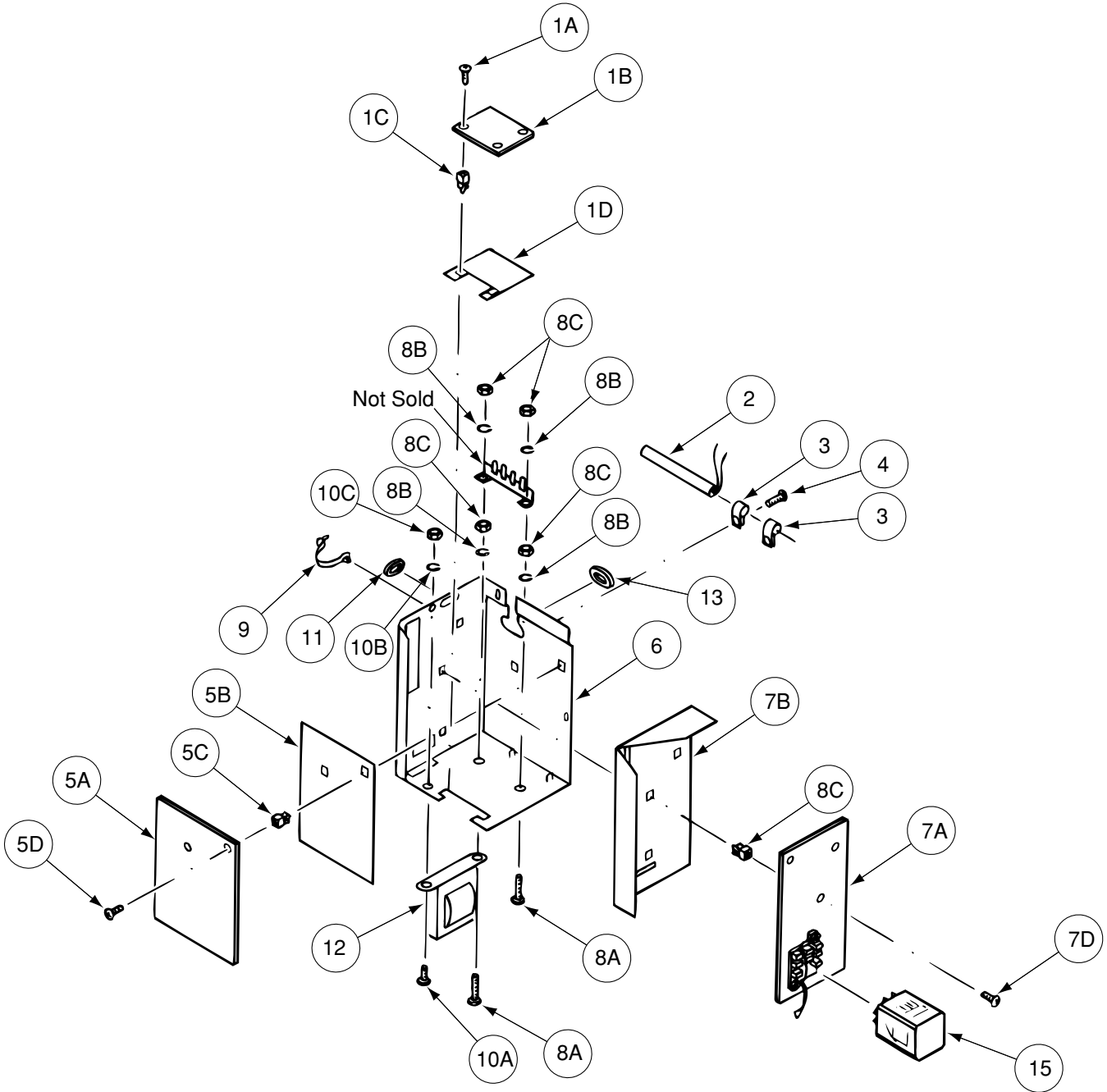
Ø This part is obsolete and no longer available.



# Control Panel Instrument Assembly

## LN9 & LN9 GMA

(2-Roll & 4-Roll)



LN9 AND LN9 GMA



06-07-2011

Index of Sub Assemblies  
 Part Numbers  
 Index of Sub Assemblies  
 Part Numbers  
 Index of Sub Assemblies  
 Part Numbers  
 Index of Sub Assemblies  
 Part Numbers

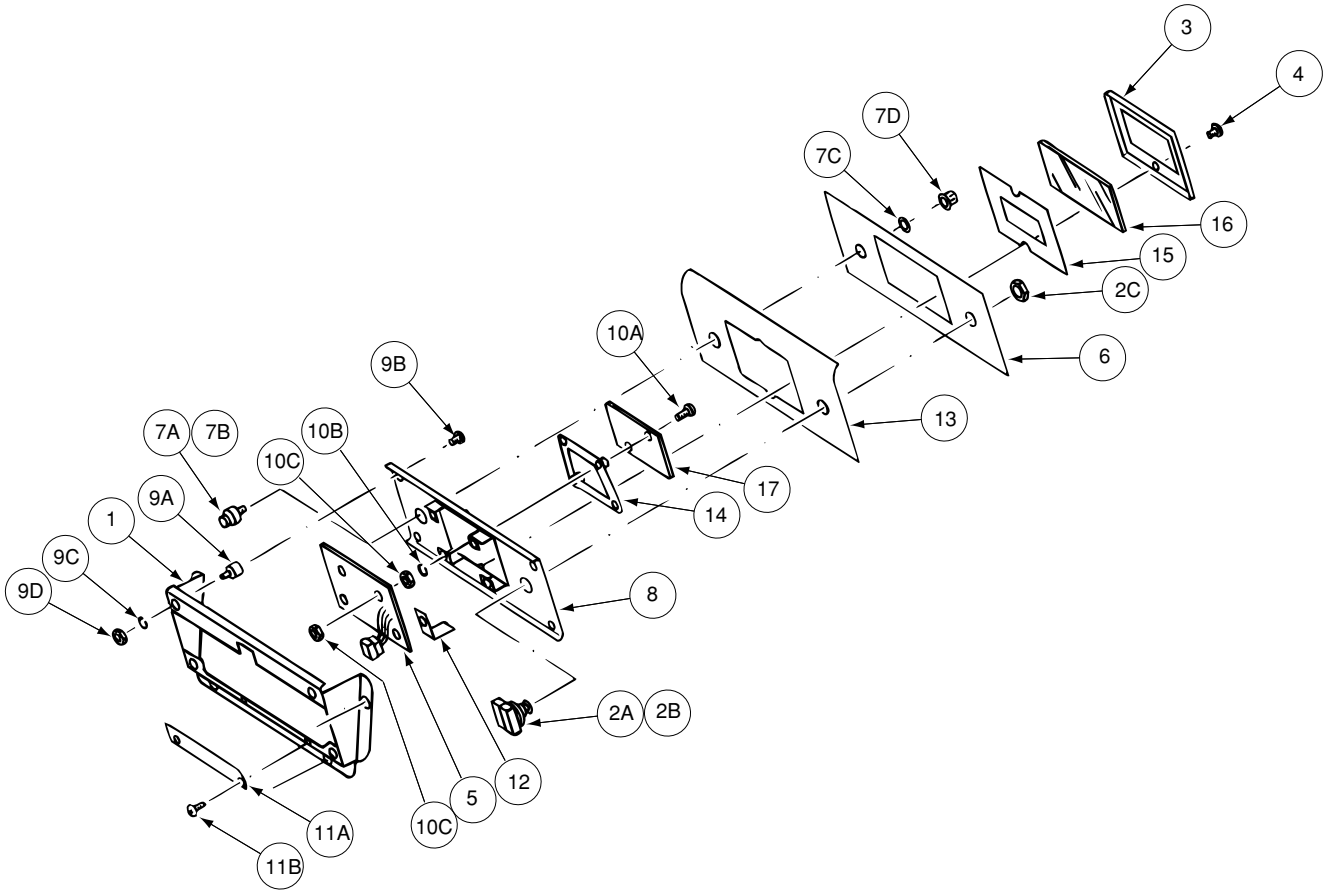
# Indicates a Change This Printing

ITEM	DESCRIPTION	PART NO.	QTY.	1	2	3	4	5	6	7	8	9
1A	Self Tapping Screw	S8025-14	3	X								
1B	Trigger P.C. Board	M13861-3	1	X								
1B	Trigger P.C. Board (Above Code 8000) (GMA)	L9928-[ ]	1	X								
1C	Plastic Expansion Nut	S14020-1	3	X								
1D	P.C. Board Insulation (Below Code 8000)	T14274	1	X								
1D	P.C. Board Insulation (Above Code 8000)	S16609	1	X								
2	Reed Switch Assembly	S12334-29	1	X								
3	Lead Clamp	T12563-7	2	X								
4	#8-32 x .50 Br RHS	CF000102	2	X								
5A	Control P.C. Board (LN9 & 9H Only)	L6019	1	X								
5A	Control P.C. Board (LN9 GMA Only (Below Code 10352)	L7253-[ ]	1	X								
5A	Control P.C. Board (LN9 GMA Only) (Above Code 10352)	L10068-[ ]	1	X								
5B	P.C. Board Insulation (LN9 & 9H Only)	S16365	1	X								
5B	P.C. Board Insulation (LN9 GMA Only)	S16365-1	1	X								
5C	Plastic Expansion Nut	S14020-1	2	X								
5D	Self Tapping Screw	S8025-14	1	X								
6	Instrument Mounting Panel (Below Code 8000)	M13580 $\emptyset$	1	X								
6	Instrument Mounting Panel (Above Code 8000)	M13580-1	1	X								
7A	Power P.C. Board (LN9 & 9H Only)	L6043-[ ]	1	X								
7A	Power P.C. Board (P.M.) (GMA)	L7265-[ ]	1	X								
7B	P.C. Board Insulation (LN9 & 9H Only)	S16363	1	X								
7B	P.C. Board Insulation (LN9 GMA Codes 9135, 9160, 9960, 9843, 10320, 10326, 10353)	S18006	1	X								
7B	P.C. Board Insulation (LN9 GMA)	S18006-1	1	X								
7C	Plastic Expansion Nut	S14020-1	5	X								
7D	Self Tapping Screw	S8025-14	5	X								
8A	#6-32 x .625 RHS	CF000043	2	X								
8B	Lock Washer	E106A-13	4	X								
8C	#6-32 HN	CF000005	4	X								
9	Lead Clamp	T13496-2	1	X								
10A	#6-32 x .375 RHS	CF000003	1	X								
10B	Lock Washer	E106A-13	1	X								
10C	#6-32 HN	CF000005	1	X								
11	Grommet	S10255-12	1	X								
12	Transformer Asbly (Part of M15098-3 Harness)	S16282	1	X								
13	Grommet	S10255-14	1	X								
14	Power Board Connection Diagram (LN9 & 9H Only)	T14258	1	X								
14	Power Board Connection Diagram (LN9 & GMA Only)	T15050	1	X								
15	Relay (Mounts on Power P.C. Board)	S13929-6	1	X								

Note: When ordering new printed circuit boards indicate the dash number [ ] of the "Old" board that is to be replaced. This will aid Lincoln in supplying the correct and latest board along with any necessary jumpers or adapters. The dash number brackets [ ] have purposely been left blank so as to eliminate errors, confusion and updates.

Index of Sub Assemblies  
 Sub Assembly Illustration  
 Index of Sub Assemblies  
 Sub Assembly Illustration  
 Index of Sub Assemblies  
 Sub Assembly Illustration  
 Index of Sub Assemblies  
 Sub Assembly Illustration

# Meter Panel Assembly



Index of Sub Assemblies

Part Numbers

Index of Sub Assemblies

Part Numbers

Index of Sub Assemblies

Part Numbers

Index of Sub Assemblies

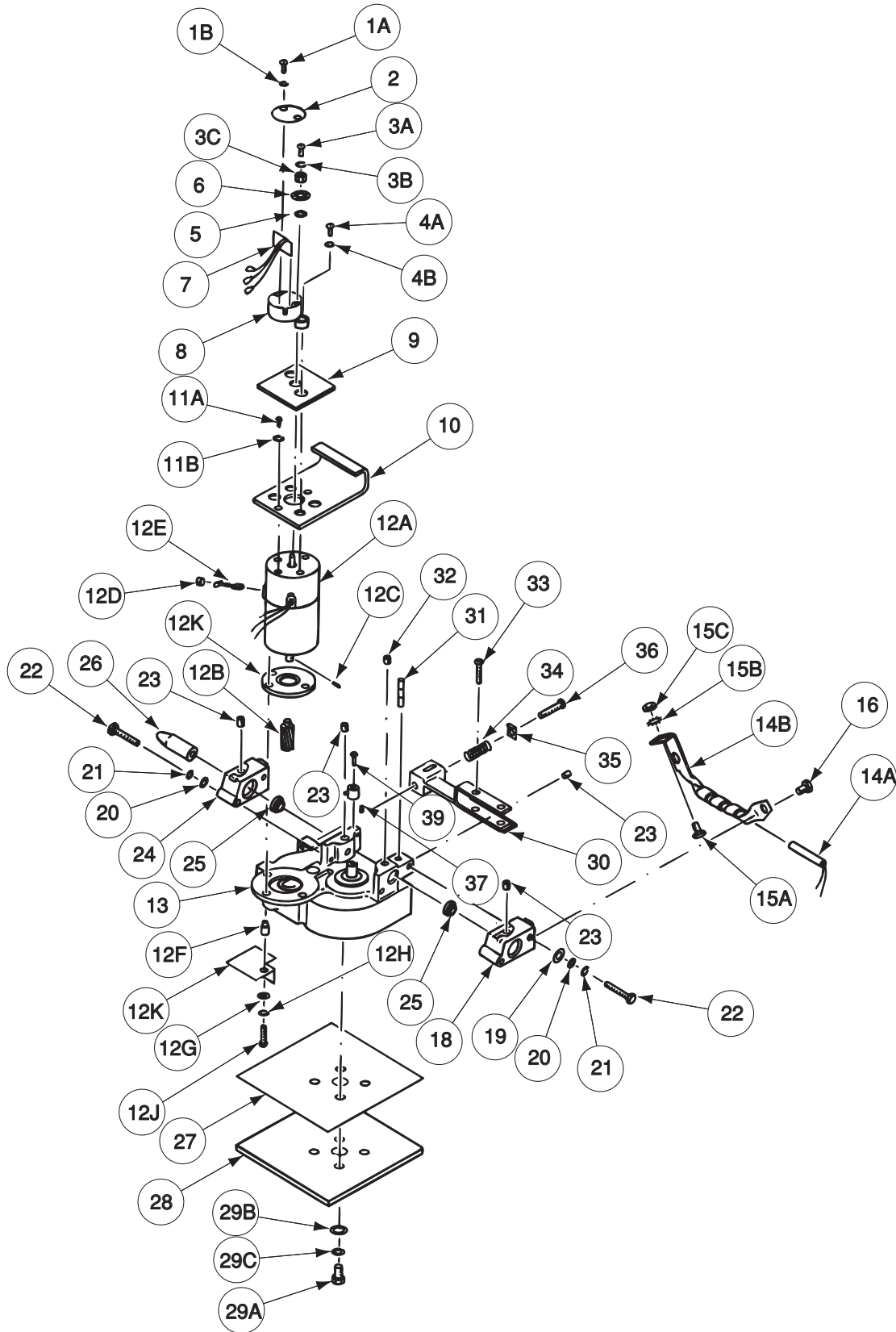
Part Numbers

Index of Sub Assemblies  
 Sub Assembly Illustration  
 Index of Sub Assemblies  
 Sub Assembly Illustration  
 Index of Sub Assemblies  
 Sub Assembly Illustration  
 Index of Sub Assemblies  
 Sub Assembly Illustration

ITEM		DESCRIPTION	PART NO.	QTY.	For Codes Below 8000, use parts marked "X" in Column 1. For Codes 8000 to 8700, use parts marked "X" in Column 2. For Codes Above 8700, use parts marked "X" in Column 3.									
					1	2	3	4	5	6	7	8	9	
	# Indicates a Change This Printing													
1	Meter Housing (Below Code 9900)	L4753 Ø	1	X	X	X								
1	Meter Housing (Above Code 9900)	L4753-1	1	.	.	X								
2A	Actuator & Switch Assembly	T14751-1	1	X	X	X								
2B	Lock Washer	T9695-16	1	X	X	X								
2C	5/8-24 HN	T10940-11	1	X	X	X								
3	Meter Shield Frame	M13572	1	X	X	X								
4	Sems Screw	T10082-27	2	X	X	X								
5	Meter PC Board (LN9 Only)	L6685-[ ]	1	.	X	.								
5	Meter PC Board (LN9H Only)	L6686	1	.	X	.								
5	Meter PC Board (LN9 Metric Only)	L6687-[ ]	1	.	X	X								
5	Meter PC Board (LN9H Metric & LN9 GMA Only)	L6688-[ ]	1	.	X	X								
6	Nameplate	M13582	1	X	X	.								
6	Nameplate (LN9, LN-9H Metric & LN9 GMA Only)	M13582-1	1	.	X	X								
7A	Switch (LN9 Only)	T13111	1	X	X	.								
7A	Switch (LN9H Only)	T13381-2	1	.	X	.								
7A	Switch (LN9, LN9H Metric & LN9 GMA Only)	S16670-5	1	.	X	X								
7B	Non-Turn Washer	T14457-1	1	X	X	X								
7C	Plain Washer	S9262-76	1	X	X	X								
7D	Knob	T13639	1	X	X	X								
8	Meter Panel Assembly	T14248	1	X	.	.								
8	Meter Panel Assembly	T14248-1	1	.	X	X								
9A	Shock Mounting	T13003	4	X	X	X								
9B	Sems Screw	T10082-27	4	X	X	X								
9C	Lock Washer	T9695-3	4	X	X	X								
9D	#8-32 HN	CF000042	4	X	X	X								
10A	#6-32 x .50 RHS	CF000004	2	X	X	X								
10B	Lock Washer	T9695-2	2	X	X	X								
10C	#6-32 HN	CF000005	4	X	X	X								
11A	Insulation	S16635	1	.	X	X								
11B	Self Tapping Screw	S8025-60	2	.	X	X								
12	Insulation	T14468	1	.	X	X								
13	Spatter Shield	S17016	1	.	.	X								
14	P.C. Board Spacer	M14537	1	.	.	X								
15	Bezel Assembly	S17414	1	.	.	X								
16	Meter Shield (Standard Clear Welding Lens)	T14771	1	X	X	.								
16	Filter Lens	T14807-1	1	.	.	X								
17	Meter and Printed Circuit Board Assembly (Not Shown)	M13650 Ø	1	X	.	.								
17	Meter and Pin Assembly (Not Shown)	Order S17747	1	.	X	.								
17	Digital Voltmeter P.C. Board	M14490-[ ]	1	.	.	X								
18A	#6-32 x 1.00 RHS (Not Shown)	CF000099	2	X	X	X								
18B	Lock Washer (Not Shown)	T9695-2	2	X	X	X								
18C	#6-32 HN (Not Shown)	CF000005	4	X	X	X								
19A	Lead Clamp (Not Shown) (LN9H, LN9 GMA)	T12563-6	1	X	X	X								
19B	Self Tapping Screw (Not Shown)	S8025-73	1	X	X	X								
19C	Plain Washer (Not Shown)	S9262-3	1	X	X	X								



# Wire Drive LN9, LN9H, LN9F, LN9FH



LN9 AND LN9 GMA

06-07-2011



Index of Sub Assemblies

Part Numbers

Index of Sub Assemblies

Part Numbers

Index of Sub Assemblies

Part Numbers

Index of Sub Assemblies

Part Numbers



Index of Sub Assemblies  
Sub Assembly Illustration  
Index of Sub Assemblies  
Sub Assembly Illustration  
Index of Sub Assemblies  
Sub Assembly Illustration  
Index of Sub Assemblies  
Sub Assembly Illustration

# Indicates a Change This Printing <div style="float: right; border: 1px solid black; padding: 5px; margin-top: 5px;">                         For LN9, use parts marked "X" in Column 1.                          For LN9F, use parts marked "X" in Column 2.                          For LN9H, use parts marked "X" in Column 3.                          For LN9FH, use parts marked "X" in Column 4.                     </div>												
ITEM	DESCRIPTION	PART NO.	QTY.	1	2	3	4	5	6	7	8	9
	Wire Drive Motor & Gear Box Assembly, Includes:	L5743-10		X	.	.	.					
	Wire Drive Motor & Gear Box Assembly, Includes:	L5743-3 Ø	1	X	.	.	.					
	Wire Drive Motor & Gear Box Assembly, Includes:	L5743-4	1	.	X	.	.					
	Wire Drive Motor & Gear Box Assembly, Includes:	L5743-6	1	.	.	X	.					
	Wire Drive Motor & Gear Box Assembly, Includes: (Items 2, 4C, 4B, 6, 7, 8, 10, 12A, 12B, 12C, 12F, 12J, 12K, 13)	L5743-7 Ø	1	.	.	.	X					
1A	#6-32 x .375 RHS	CF000003	2	X	X	X	X					
1B	Lock Washer	E106A-13	2	X	X	X	X					
2	Cover Assembly	T14326	1	X	X	X	X					
3A	#6-32x.375 PRHS	CF000108	1	X	X	X	X					
3B	Lock Washer	E106A-13	1	X	X	X	X					
3C	Cap	T14246	1	X	X	X	X					
4A	#8-32 x .375 RHS	CF000006	2	X	X	X	X					
4B	Lock Washer	T4291-A	2	X	X	X	X					
4C	Plain Washer (Not Shown)	S9262-3	2	X	X	X	X					
5	Plain Washer (Shim)	S16268-1	4	X	X	X	X					
6	Slotted Disc	S16180	1	X	X	X	X					
7	Tachometer Pick UP P.C. Board	M14700-[ ]	1	X	X	X	X					
8	Pick-Up Housing Assembly	M13578	1	X	X	X	X					
9	Insulator	S16267	1	X	X	X	X					
10	Heat Sink	M13579	1	X	X	X	X					
11A	#8-32 x .375 RHS	CF000006	2	X	X	X	X					
11B	Lock Washer	T4291-A	2	X	X	X	X					
12	Drive Motor Assembly,(LN9) Includes: (12A & 12B)	L5974-1	1	X	.	.	.					
12A	Drive Motor, Pinion & Shaft, Includes: (Codes 8420, 8180, 9087, 9134, 9958)	S16470-1	1	X	.	.	.					
12	Drive Motor Assembly,(LN9F) Includes: (12A & 12B)	L5974-2	1	.	X	.	.					
12A	Drive Motor, Pinion & Shaft, Includes: (Codes 8921, 8670, 9089, 8421, 8670)	S16470-2	1	.	X	.	.					
12	Drive Motor Asbly,(LN9H) Includes: (12A & 12B)	L5974-3	1	.	.	X	.					
12A	Drive Motor, Pinion & Shaft, includes: (Codes 8178, 8422, 8669 & 9088)	M13862-1 Ø	1	.	.	X	.					
12	Drive Motor Assembly,(LN9FH) Includes: (12A & 12B)	L5974-4	1	.	.	.	X					
12A	Drive Motor, Pinon & Shaft, Includes: Codes 8423, 8671, 9090)	M13862-2	1	.	.	.	X					
12B	Pinon Gear	S15013-4	1	X	X	.	.					
12B	Pinon Gear	S16612	1	.	.	X	X					
12C	Roll Pin (Gear to Shaft)	T9967-33	1	X	X	X	X					
12D	Brush Cap (Stature)	M13312-13	1	X	X	.	.					
12D	Brush Cap (Universal) (Early Design 7/8-27 THD)	M9655-7A Ø	1	.	X	.	.					
12D	Brush Cap (Universal) (Present Design 3/4-27 THD)	M9655-7B Ø	1	.	X	.	.					
12D	Brush Cap	M13274-7	1	.	.	X	X					
12E	Brush & Spring Assembly (Stature)	M13312-12	2	X	.	.	.					
12E	Brush & Spring Assembly (Universal)	M12254-1F	2	.	X	.	.					
12E	Brush & Spring Assembly (Stature)	M13312-12	2	.	X	.	.					
12E	Brush & Spring Assembly	M13274-6	2	.	.	X	X					
12F	Insulating Bushing	T14058	3	X	X	X	X					
12G	Plain Washer	S9262-147	3	X	X	X	X					
12H	Lock Washer	T4291-A	3	X	X	X	X					
12J	8-32 x 1.125 RHS	CF000007	3	X	X	X	X					
12K	Motor Insulator	M13479-1	1	X	X	X	X					
12L	Insulation (Not Shown)	T13911	1	X	.	X	X					

For LN9, use parts marked "X" in Column 1.  
 For LN9F, use parts marked "X" in Column 2.  
 For LN9H, use parts marked "X" in Column 3.  
 For LN9FH, use parts marked "X" in Column 4.

# Indicates a Change This Printing

ITEM	DESCRIPTION	PART NO.	QTY.	1	2	3	4	5	6	7	8	9
12M	Speed Clip (Not Shown)	T10982-5	1	X	X	X	X					
13	Gearbox	M14310-1	1	X	X	•	•					
13	Gearbox	M14310-2	1	•	•	X	X					
14A	Reed Switch & Energizer Asbly (Below Code 9100)	S14623-2	1	X	•	X	•					
14A	Reed Switch (Above Code 9100)	S12334-43	1	X	•	•	•					
14A	Reed Switch (Above Code 9100)	S12334-45	1	•	X	•	•					
14A	Reed Switch & Energizer Asbly (Below Code 9100)	S14623-2	1	X	•	X	•					
14A	Reed Switch & Energizer Asbly (Below Code 9100)	S14623-3	1	•	X	•	X					
14B	Energizer (Above Code 9100)	L7392	1	X	X	•	•					
14C	Self Tapping Screw (Not Shown)	S8025-13	1	X	X	X	X					
15A	1/2-13 x 1.00 HHCS (Above Code 9100)	CF000276	1	X	X	•	•					
15A	1/4-20 x 2.00 HHCS (Below Code 9100)	CF000100	4	X	X	X	X					
15B	Lock Washer (Above Code 9100)	T9860-2	1	X	X	•	•					
15C	1/2-13 HJN (Above Code 9100)	CF000054	1	X	X	•	•					
16	1/2-13 x .75 HHCS	CF000020	2	X	X	•	•					
18	Outgoing Conductor Block	L6872-2	1	X	X	X	X					
19	Plain Washer (Above Code 9100)	S9262-120	2	X	X	•	•					
20	Plain Washer	S9262-23	4	X	X	X	X					
21	Lock Washer	E106A-2	4	X	X	X	X					
22	1/4-20 x 2.00 HHCS	CF000100	4	X	X	X	X					
23	Hollow Set Screw	S11604-28	4	X	X	X	X					
24	Incoming Conductor Block	L6872-1	1	X	X	X	X					
25	Locator Bushing	T12189	2	X	X	X	X					
26	Incoming Wire Guide	T12272	1	X	X	X	X					
27	Insulation	M12137	1	X	X	X	X					
28	Gear Box Mounting Plate	M11460	1	X	X	X	X					
29A	5/16-18 x .75 HHCS	CF000040	4	X	X	X	X					
29B	Plain Washer	S9262-121	4	X	X	X	X					
29C	Lock Washer	E106A-14	4	X	X	X	X					
30	Yoke Assembly	S13454	1	X	X	•	•					
30	Yoke Assembly	S16731	1	•	•	X	X					
31	Pivot Pin	T12206-3	1	X	X	X	X					
32	Hollow Set Screw	S11604-8	1	X	X	X	X					
33	Button Head Set Screw	T11551-5	1	X	X	X	X					
34	Compression Spring	T10247-10	1	X	X	X	X					
35	Yoke Setting Indicator	T12689	1	X	X	X	X					
36	Button Head Screw	T11551-1	1	X	X	X	X					
37	Key (Below Code 10300)	M8776-31	1	X	X	X	X					
38	Collar Assembly (Below Code 10300)	T12341	1	X	X	X	X					
38	Collar Assembly (Above Code 10300)	S21193	1	X	X	X	X					
39	Button Head Socket Screw	T11551-6	1	X	X	X	X					
40	Feed Unit Mounting Screw (Not Shown)	M12616	1	•	X	•	X					
41	1/4-20 x .625 RHS (Not Shown)	CF000144	3	•	X	•	X					
42	Lock Washer (Not Shown)	E106A-2	3	•	X	•	X					
43	1/4-20 HN (Not Shown)	CF000017	3	•	X	•	X					
	* Cover - Black (End of Motor)	S16718	1	X	X	X	X					



Index of Sub Assemblies  
 Sub Assembly Illustration  
 Index of Sub Assemblies  
 Sub Assembly Illustration  
 Index of Sub Assemblies  
 Sub Assembly Illustration  
 Index of Sub Assemblies  
 Sub Assembly Illustration

# NOTES

---

Index of Sub Assemblies

Index of Sub Assemblies

Index of Sub Assemblies

Index of Sub Assemblies

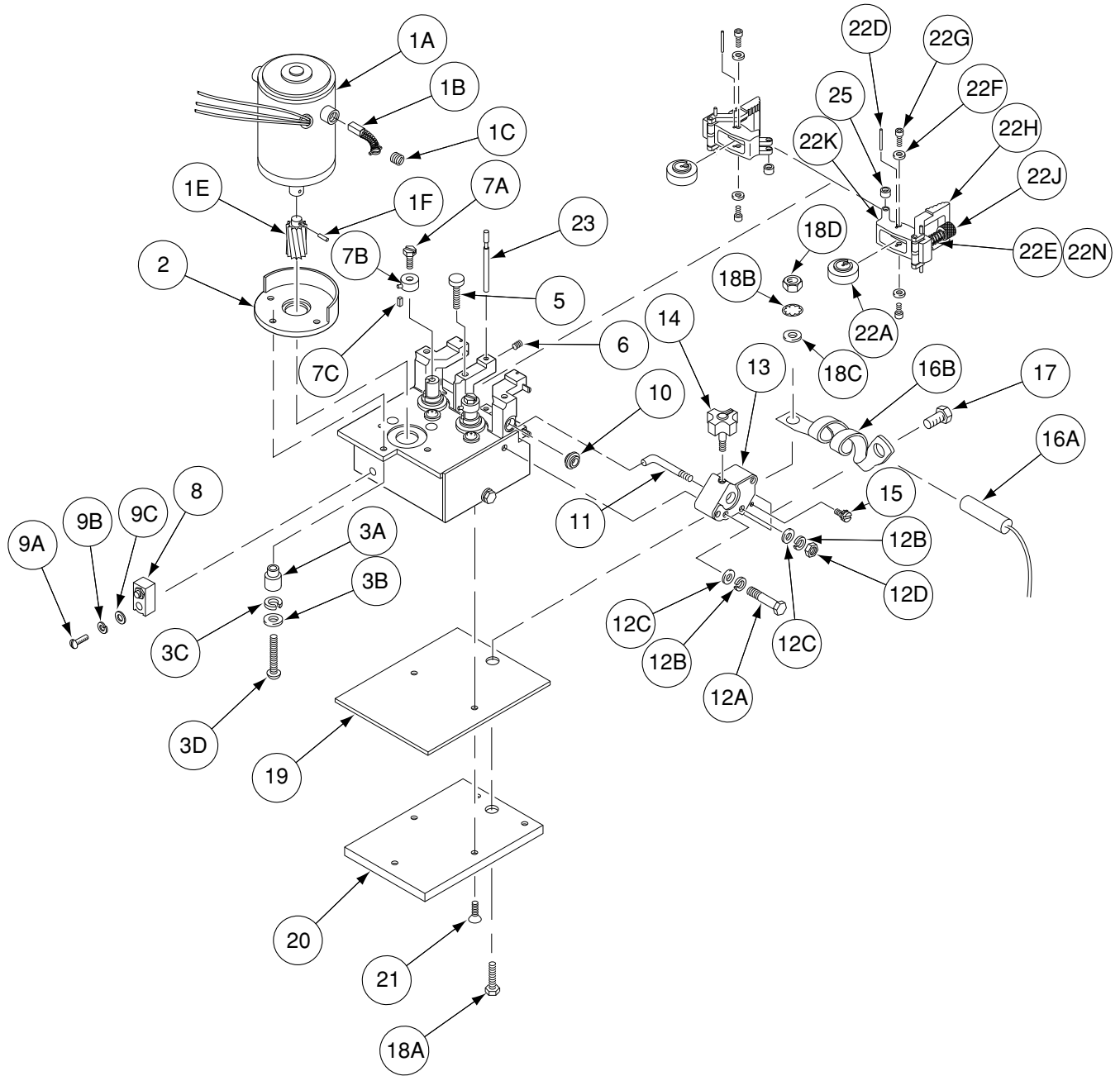
LN9 AND LN9 GMA



# Wire Drive, Motor & Gear Box Assembly

## LN9 GMA & LN9F GMA

(4-Roll)



Index of Sub Assemblies

Part Numbers

Index of Sub Assemblies

Part Numbers

Index of Sub Assemblies

Part Numbers

Index of Sub Assemblies

Part Numbers

ITEM	DESCRIPTION	PART NO.	QTY.	1	2	3	4	5	6	7	8	9
	Gear Box Asbly (LN9F GMA 4 Roll), Includes:	G2262-3	1	X								
	Gear Box Asbly (LN9 GMA 4 Roll), Includes:	G2262-2	1	X								
1	Drive Motor Asbly (LN9 GMA), Includes:	M15078-1	1	X								
1	Drive Motor Asbly (LN9F GMA), Includes:	M15078-3	1	X								
1A	Drive Motor, Includes:	<b>NSS</b>	1	X								
1B	Brush & Spring Asbly (Universal Electric)	M13274-6	2	X								
1B	Brush & Spring Asbly (Specialty Motors)	M16718-F ø	2	X								
1B	Brush & Spring Asbly (Stature Electric)	M15114-1K	2	X								
1C	Brush Cap (Universal Electric)	M13274-7	2	X								
1C	Brush Cap (Specialty Motors)	M14907-1G	2	X								
1C	Brush Cap (Stature Electric)	M15114-1L	2	X								
1D	Plain Washer (Not Shown)	S9262-70	1	X								
1E	Pinion Gear	S17980-1	1	X								
1F	Roll Pin	T9967-33	1	X								
1G	Ring Magnet (Not Shown)	S18011	1	X								
2	Motor Insulator / Spacer	M16803	1	X								
3A	Bushing	T14058-1	3	X								
3B	Plain Washer	S9262-147	3	X								
3C	Lock Washer	T4291-A	3	X								
3D	#8-32 x 1.50 RHS	CF000119	3	X								
5	Thumb Screw	S19924	3	X								
6	Set Screw	S11604-6	1	X								
7A	Sems Screw	T10082-26	2	X								
7B	Collar Assembly (Below Code 10300)	T12341	2	X								
7B	Collar Assembly (Above Code 10300)	S21193	2	X								
7C	Key (Below Code 10300)	M8776-82	2	X								
8	Hall Effect Switch (LN9 GMA)	S18160-1	1	X								
8	Hall Effect Switch (LN9F GMA)	S18160-1	1	X								
9A	#10-24 x 1.00 RHS	CF000038	1	X								
9B	Lock Washer	E106A-1	1	X								
9C	Plain Washer	S9262-27	1	X								
10	Locator Bushing	T14031	1	X								
11	Bent Bolt	S20629-1	1	X								
12A	1/4-20 x 1.75 HHCS	CF000016	2	X								
12B	Lock Washer	E106A-2	2	X								
12C	Plain Washer	S9262-23	2	X								
12D	1/4-20 HN	CF000017	1	X								
13	Conductor Block	M13972-2	1	X								
14	Molded Hand Screw	T13858	1	X								
15	Sems Screw	T10082-4	1	X								
16A	Reed Switch Assembly (LN9F GMA 4 Roll)	S12334-47	1	X								
16A	Reed Switch Assembly (LN9 GMA 4 Roll)	S12334-43	1	X								
16B	Reed Switch Energizer	M15173	1	X								
17	1/2-13 x .750 HHCS	CF000029	1	X								
18A	1/2-13 x 1.75 HHCS	CF000277	1	X								
18B	Lock Washer	T9695-8	1	X								
18C	Plain Washer (LN9 GMA)	S9262-1	1	X								
18C	Plain Washer (LN9F GMA)	S9262-125	1	X								
18D	1/2-13 HJN	CF000054	2	X								
19	Gear Box Insulation (Lower) (Not used on LN9 GMA 4 Roll)	T11472-26	1	X								

NSS - Not Sold Separately

LN9 AND LN9 GMA

06-07-2011

ø This part is obsolete and no longer available.



Index of Sub Assemblies  
 Sub Assembly Illustration  
 Index of Sub Assemblies  
 Sub Assembly Illustration  
 Index of Sub Assemblies  
 Sub Assembly Illustration  
 Index of Sub Assemblies  
 Sub Assembly Illustration

ITEM	DESCRIPTION	PART NO.	QTY.	1	2	3	4	5	6	7	8	9
20	Gear Box Mounting Plate	S20331	1	X								
21	1/4-20 x .625 FHS	CF000345	2	X								
22	Swing Arm Assembly, Includes:	M16445	2	X								
22A	Bearings & Shaft Assembly	T13244-1	1	X								
22B	Roll Pin (Not Shown)	T9967-25	1	X								
22C	Plain Washer (Not Shown)	S9262-60	1	X								
22D	Pin	M8809-122	1	X								
22E	Spring	T10247-11	1	X								
22F	Plain Washer	S9262-3	2	X								
22G	Socket Head Screw	T9447-21	2	X								
22H	Release Assembly	S19965	1	X								
22J	Knob	S19922	1	X								
22K	Swing Arm	M16446	1	X								
22L	Pivot Block Shaft (Not Shown)	S19921	1	X								
22M	Spacer (Not Shown)	S20244	2	X								
22N	Tension Rod	S19920	1	X								
23	Pin	S19828	1	X								
24	Connection Box Asbly LN9F GMA (4 Roll) (Not Shown)	M15238-1	1	X								
	Female Connector	T11591-3	1	X								
	Solenoid Valve Assembly	M15234	1	X								
	Number Plate	T10726-153	1	X								
	Hose Clamp	S10888-35	1	X								
	Connector	T14557-3	1	X								
	Connector & Lead Assembly	S13100-73	1	X								
	Terminal Strip	S14530-10	1	X								
	Terminal Strip	S14872-1	1	X								
	Warning Label	T9274-4	1	X								
25	Swing Arm Spacer	S19923	1	X								



Index of Sub Assemblies  
 Sub Assembly Illustration  
 Index of Sub Assemblies  
 Sub Assembly Illustration  
 Index of Sub Assemblies  
 Sub Assembly Illustration  
 Index of Sub Assemblies  
 Sub Assembly Illustration

# NOTES

---

Index of Sub Assemblies

Index of Sub Assemblies

Index of Sub Assemblies

Index of Sub Assemblies

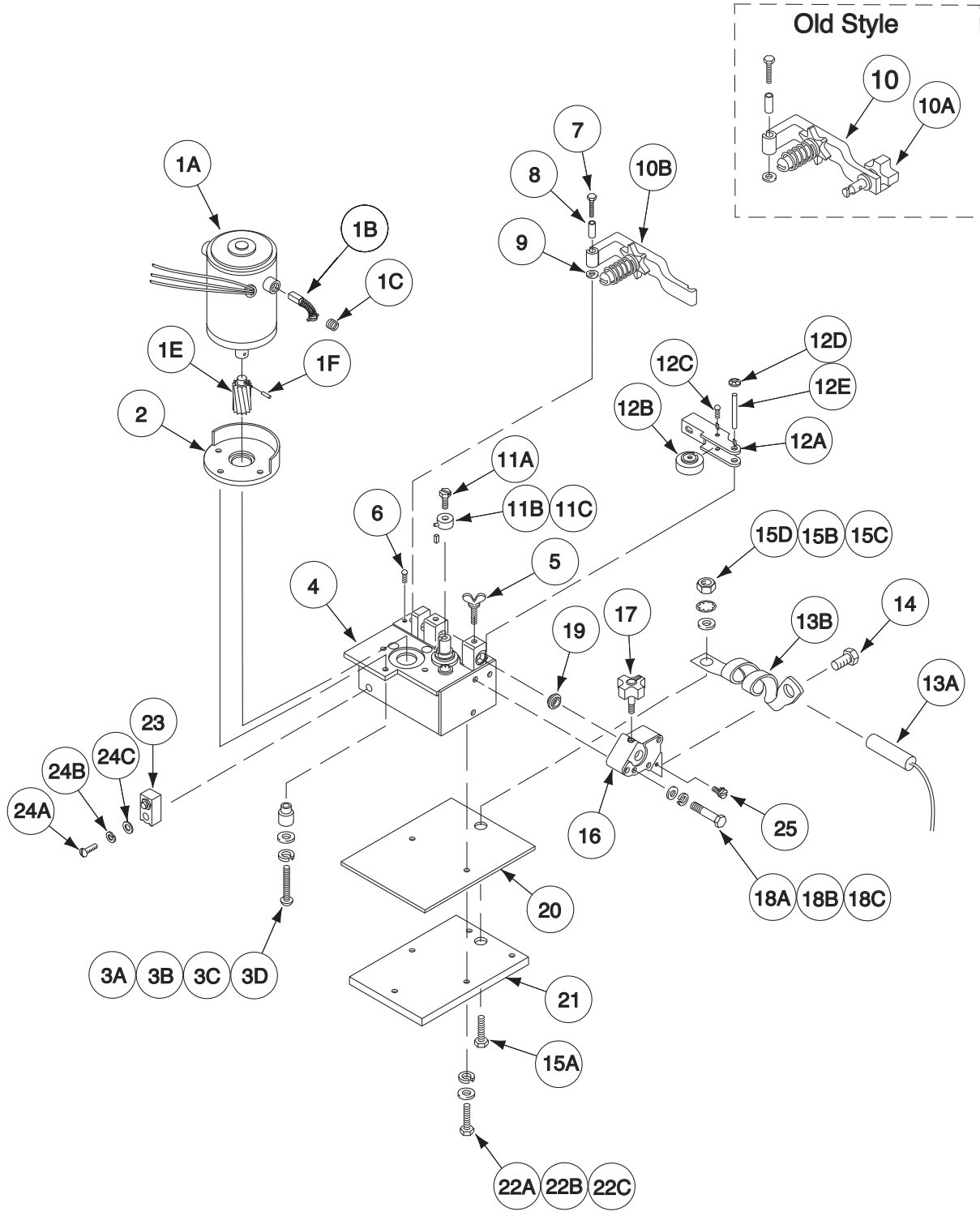
LN9 AND LN9 GMA



# WIRE DRIVE, MOTOR & GEAR BOX ASSEMBLY

## LN9 GMA & LN9F GMA

(2-Roll)



LN9 AND LN9 GMA

06-07-2011



Index of Sub Assemblies  
 Part Numbers  
 Index of Sub Assemblies  
 Part Numbers  
 Index of Sub Assemblies  
 Part Numbers  
 Index of Sub Assemblies  
 Part Numbers



# Indicates a Change This Printing

ITEM	DESCRIPTION	PART NO.	QTY.	1	2	3	4	5	6	7	8	9
1	Drive Motor Asbly (LN9 GMA), Includes:	M15078-1	1	X								
1	Drive Motor Asbly (LN9F GMA), Includes:	M15078-3	1	X								
1A	Drive Motor	<b>NSS</b>	1	X								
1B	Brush & Spring Asbly (Universal Electric)	M13274-6	2	X								
1B	Brush & Spring Asbly (Specialty Motors)	M14996-F	2	X								
1B	Brush & Spring Asbly (Stature Electric)	M15114-1K	2	X								
1C	Brush Cap (Universal Electric)	M13274-7	2	X								
1C	Brush Cap (Specialty Motors)	M14907-G	2	X								
1C	Brush Cap (Stature Electric)	M15114-1L	2	X								
1D	Plain Washer (Not Shown)	S9262-70	1	X								
1E	Pinion Gear	S17980-1	1	X								
1F	Roll Pin	T9967-33	1	X								
1G	Ring Magnet (Not Shown)	S18011	1	X								
2	Motor Insulator	M13479-4	1	X								
3A	Bushing	T14058	3	X								
3B	Plain Washer	S9262-3	3	X								
3C	Lock Washer	T4291-A	3	X								
3D	#8-32 x 1.125 RHS	CF000007	3	X								
4	Gear Box	<b>NSS</b>	1	X								
5	Thumb Screw	T15046	2	X								
6	Drive Screw	S8025-19	1	X								
7	1/4-20 x 1.25 HHCS	CF000069	1	X								
8	Pivot Spacer	S10918-7	1	X								
9	Plain Washer	S9262-103	1	X								
10	Quick Release Asbly (Old Style), Includes:	M15023	1	X								
10A	Latch Knob	T13858-1	1	X								
10B	Quick Release Assembly (Current Style)	M19266-1	1	X								
11A	Sems Screw	T10082-26	1	X								
11B	Collar Assembly (Below Code 10300)	T12341	1	X								
11B	Collar Assembly (Above Code 10300)	S21193	1	X								
11C	Key (Below Code 10300)	M8776-82	1	X								
12A	Idle Roll Assembly	S16666-1	1	X								
12B	Bearing	T13244	1	X								
12C	Self Taping Screw	S8025-19	1	X								
12D	Speed Clip	T10982-7	1	X								
12E	Groove Pin	T10580-9	1	X								
13A	Reed Switch Assembly	S12334-43	1	X								
13B	Reed Switch Energizer	M15173	1	X								
14	1/2-13 x .75 HHCS	CF000020	1	X								
15A	1/2-13 x 1.75 HHCS	CF000277	1	X								
15B	Lock Washer	T9695-8	1	X								
15C	Plain Washer (LN-9 GMA)	S9262-1	1	X								
15C	Plain Washer (LN-9F GMA)	S9262-125	1	X								
15D	1/2-13 HJN	CF000054	2	X								
16	Conductor Block	S17798	1	X								
17	Knob	T13858	1	X								
18A	1/4-20 x 1.75 HHCS	CF000016	2	X								
18B	Lock Washer	E106A-2	2	X								
18C	Plain Washer	S9262-23	2	X								
19	Locator Bushing	T14031	1	X								

#

NSS - Not Sold Separately

LN9 AND LN9 GMA

06-07-2011



Index of Sub Assemblies  
 Sub Assembly Illustration  
 Index of Sub Assemblies  
 Sub Assembly Illustration  
 Index of Sub Assemblies  
 Sub Assembly Illustration  
 Index of Sub Assemblies  
 Sub Assembly Illustration

# Indicates a Change This Printing

ITEM	DESCRIPTION	PART NO.	QTY.	1	2	3	4	5	6	7	8	9
20	Gear Box Insulation	T15049	1	X								
21	Gear Box Mounting Plate	S17979	1	X								
22A	1/4-20 x .75 HHCS	CF000014	2	X								
22B	Lock Washer	E106A-2	2	X								
22C	Plain Washer	S9262-98	2	X								
23	Switch Mounting Housing Assembly	S21227	1	X								
24A	#10-24 x 1.00 RHS	CF000038	1	X								
24B	Lock Washer	E106A-1	1	X								
24C	Plain Washer	S9262-27	1	X								
25	Sems Screw	T10082-4	1	X								
26	Connection Bolt Insulation (Not Shown)	S18169	1	X								
27	Hall Effect Switch, (Not Shown)	S18160-1	1	X								
28	Gas Solenoid & Support (Not Shown)	M15095-1	1	X								



Index of Sub Assemblies  
 Sub Assembly Illustration  
 Index of Sub Assemblies  
 Sub Assembly Illustration  
 Index of Sub Assemblies  
 Sub Assembly Illustration  
 Index of Sub Assemblies  
 Sub Assembly Illustration

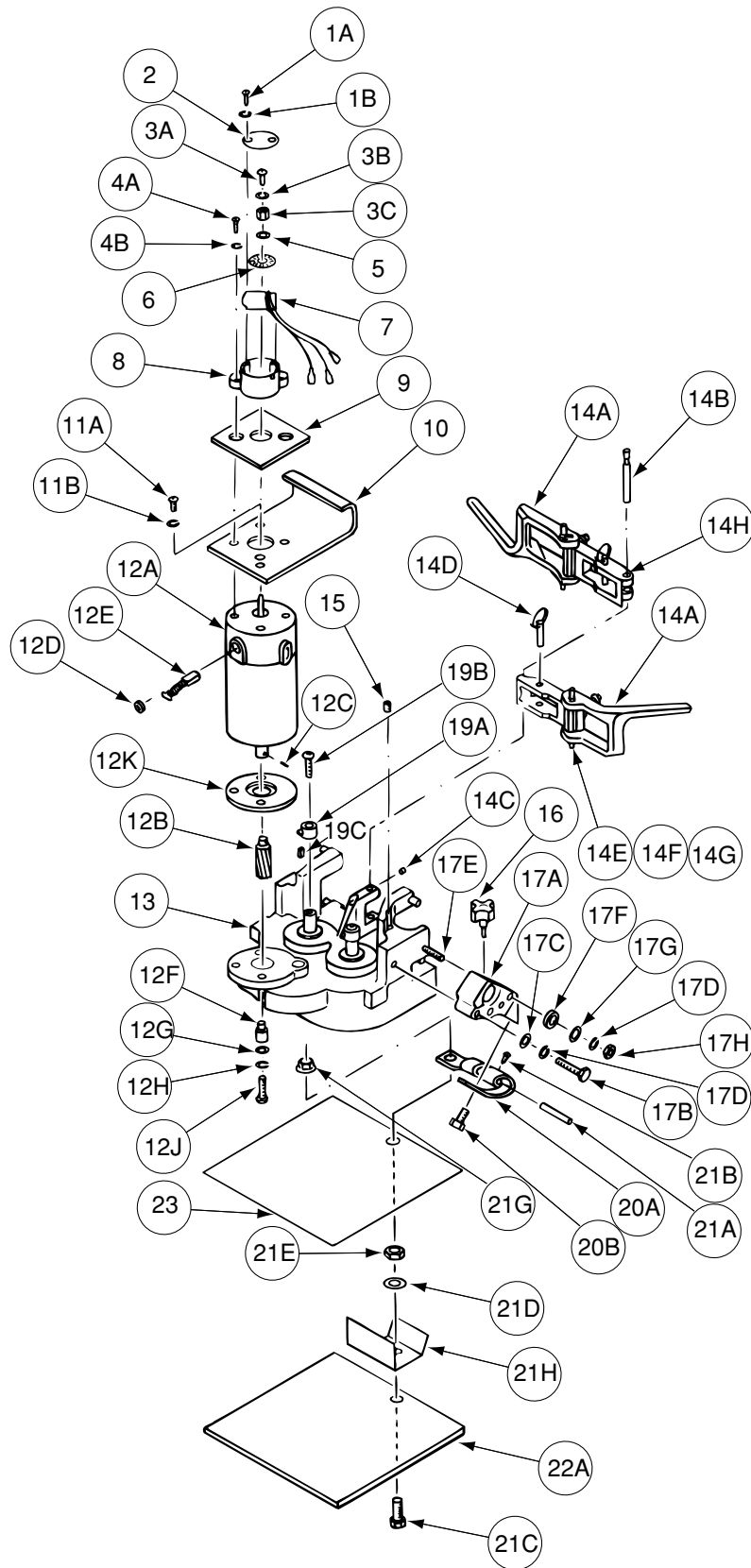
# NOTES

---

LN9 AND LN9 GMA



# WIRE DRIVE, MOTOR & GEAR BOX ASSEMBLY LN9 & LN9F (4-Roll Drive)



LN9 AND LN9 GMA



06-07-2011

Index of Sub Assemblies  
 Part Numbers  
 Index of Sub Assemblies  
 Part Numbers  
 Index of Sub Assemblies  
 Part Numbers  
 Index of Sub Assemblies  
 Part Numbers

Index of Sub Assemblies  
 Sub Assembly Illustration  
 Index of Sub Assemblies  
 Sub Assembly Illustration  
 Index of Sub Assemblies  
 Sub Assembly Illustration  
 Index of Sub Assemblies  
 Sub Assembly Illustration

# Indicates a Change This Printing												
ITEM	DESCRIPTION	PART NO.	QTY.	1	2	3	4	5	6	7	8	9
	Wire Drive & Gear Box Asbly (LN9F, 4 Roll), Includes:	G2223-1										
	Wire Drive & Gear Box Asbly (LN9, 4 Roll), Includes:	G2223-4										
1A	#6-32 x .375 RHS	CF000003	2	X								
1B	Lock Washer	E106A-13	2	X								
2	Cover Assembly	T14326	1	X								
3A	#6-32 x .375 PRHS	CF000108	1	X								
3B	Lock Washer	E106A-13	1	X								
3C	Cap	T14246	1	X								
4A	#8-32 x .375 RHS	CF000006	2	X								
4B	Lock Washer	T4291-A	2	X								
4C	Plain Washer (Not Shown)	S9262-3	2	X								
5	Plain Washer (Shim)	S16268-1	4	X								
6	Slotted Disc	S16180	1	X								
7	Tachometer Pick Up P.C. Board	M14700-[ ]	1	X								
8	Pick-Up Housing Assembly	M13578	1	X								
9	Insulator	S20425	1	X								
10	Heat Sink	M13579	1	X								
11A	#8-32 x .375 RHS	CF000006	2	X								
11B	Lock Washer	T4291-A	2	X								
12A	Drive Motor Assembly (LN9, 4-Roll), Includes:	L5974-8	1	X								
	Drive Motor, Pinion & Shaft, : (LN9, 4-Roll)	S16470-1	1	X								
12A	Drive Motor Assembly (LN9F, 4-Roll), Includes:	L5974-2	1	X								
	Drive Motor, Pinion & Shaft, Includes: (LN9F, 4-Roll)	S16470-2	1	X								
12B	Pinion	S15013-4	1	X								
12C	Roll Pin (Gear to Shaft)	T9967-33	1	X								
12D	Brush Cap (Stature Electric)	M13312-13	2	X								
12D	Brush Cap (Universal Electric)	M9655-7B ø	2	X								
12E	Brush & Spring Assembly (Stature Electric)	M13312-12	2	X								
12E	Brush & Spring Assembly (Universal Electric)	M12254-1F	2	X								
12F	Insulating Bushing	T14058-1	3	X								
12G	Plain Washer	S9262-147	3	X								
12H	Lock Washer	T4291-A	3	X								
12J	#8-32 x 1.125 RHS	CF000007	3	X								
12K	Motor Insulator	M13479-1	1	X								
12L	Insulation (Not Shown)	T13911	1	X								
12M	Speed Clip (Not Shown)	T10982-5	1	X								
13	Gearbox	G2232	1	X								
14A	Swing Arm	M16373	2	X								
14B	Swing Arm Pin	S19828	1	X								
14C	Set Screw	S11604-6	1	X								
14D	Quick Release Pin	S19829	2	X								
14E	Pivot Block Shaft	S19827	2	X								
14F	Pivot Block	S19826	2	X								
14G	Roll Pin	T9967-27	2	X								
14H	Swing Arm	L8364	1	X								
15A	Cam (Not Shown)	S19824	4	X								
15B	Roll Pin (Not Shown)	T9967-5	4	X								
16	Screw & Handle Assembly	T13858	1	X								
17A	Conductor Block	S19830	1	X								
17B	1/4-20 x 1.50 HHCS	CF000141	1	X								

LN9 AND LN9 GMA

06-07-2011

Ø This part is obsolete and no longer available.



# Indicates a Change This Printing

ITEM	DESCRIPTION	PART NO.	QTY.	1	2	3	4	5	6	7	8	9
17C	Plain Washer	S9262-23	2	X								
17D	Lock Washer	E106A-2	2	X								
17E	Stud	T9781-129	1	X								
17F	Insulating Tube	T7028-13	1	X								
17G	Insulating Washer	S10773-53	1	X								
17H	1/4-20 HN	CF000017	1	X								
18	Locator Bushing (Not Shown)	S19825	1	X								
19A	Collar Assembly (Below Code 10300)	T12341	2	X								
19A	Collar Assembly (Above Code 10300)	S21193	1	X								
19B	Button Head Socket Screw	T11551-6	2	X								
19C	Key (Below Code 10300)	M8776-31	2	X								
20A	Reed Switch Energizer	M16370	1	X								
20B	1/2-13 x .75 HHCS	CF000020	1	X								
21A	Reed Switch Assembly	S12334-43	1	X								
21B	Self Tapping Screw	S8025-13	1	X								
21C	1/2-13 x 1.75 HHCS	CF000026	1	X								
21D	Plain Washer	S9262-1	1	X								
21E	Flange Nut	T3960	1	X								
21F	Lock Washer (Not Shown)	T9695-8	1	X								
21G	1/2-13 HJN	CF000054	1	X								
21H	Insulation	S18169	1	X								
22A	Gearbox Mounting Plate	S19831	1	X								
22B	5/16-18 x .75 HHCS (Not Shown)	CF000040	4	X								
22C	Plain Washer (Not Shown)	S9262-121	4	X								
22D	Lock Washer (Not Shown)	E106A-14	4	X								
23	Insulation	M16372	1	X								



Index of Sub Assemblies  
 Sub Assembly Illustration  
 Index of Sub Assemblies  
 Sub Assembly Illustration  
 Index of Sub Assemblies  
 Sub Assembly Illustration  
 Index of Sub Assemblies  
 Sub Assembly Illustration

# NOTES

---

Index of Sub Assemblies

Index of Sub Assemblies

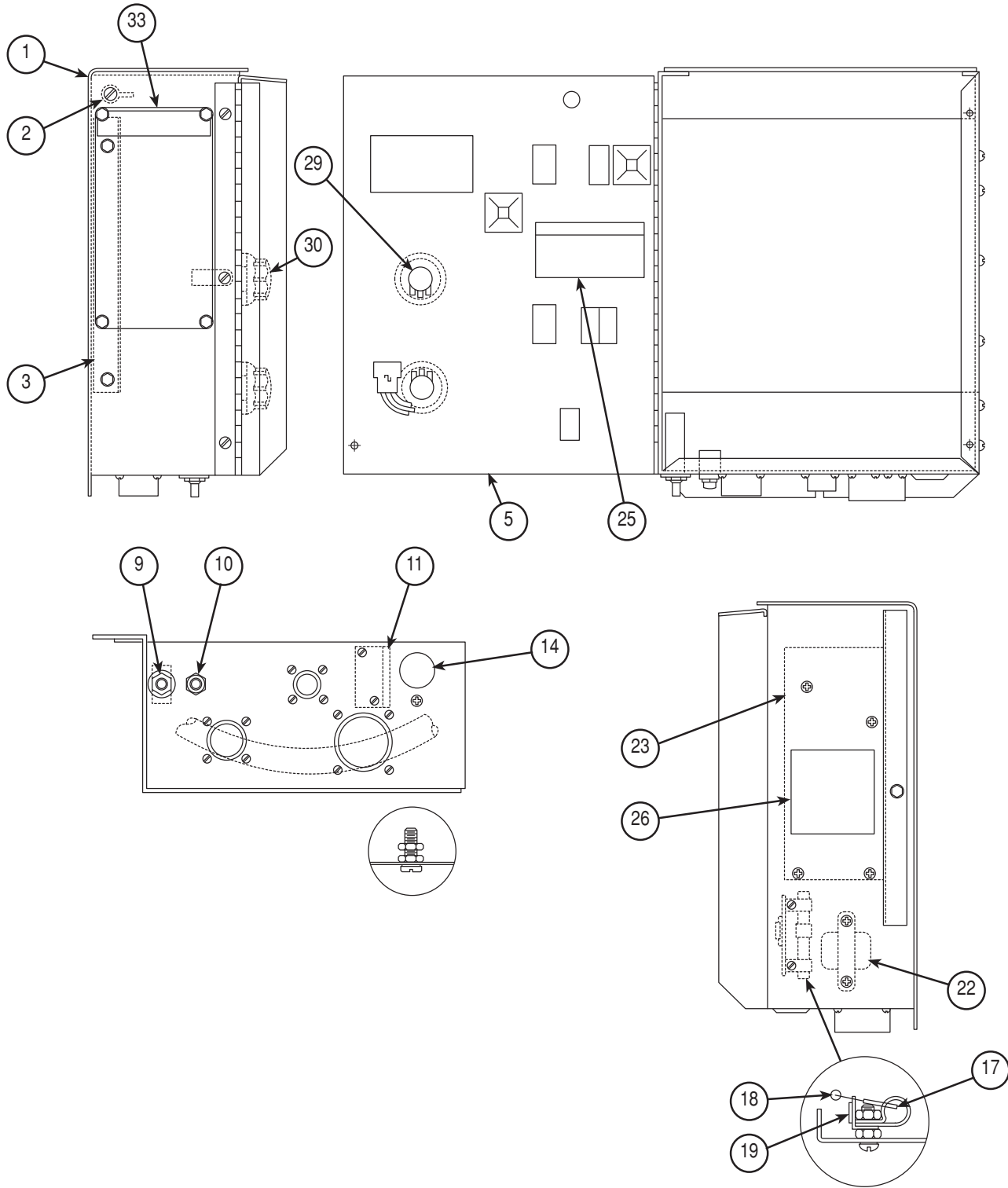
Index of Sub Assemblies

Index of Sub Assemblies

LN9 AND LN9 GMA



# Control Box LN9F, LN9FH & LN9F GMA



Index of Sub Assemblies  
 Part Numbers  
 Index of Sub Assemblies  
 Part Numbers  
 Index of Sub Assemblies  
 Part Numbers  
 Index of Sub Assemblies  
 Part Numbers



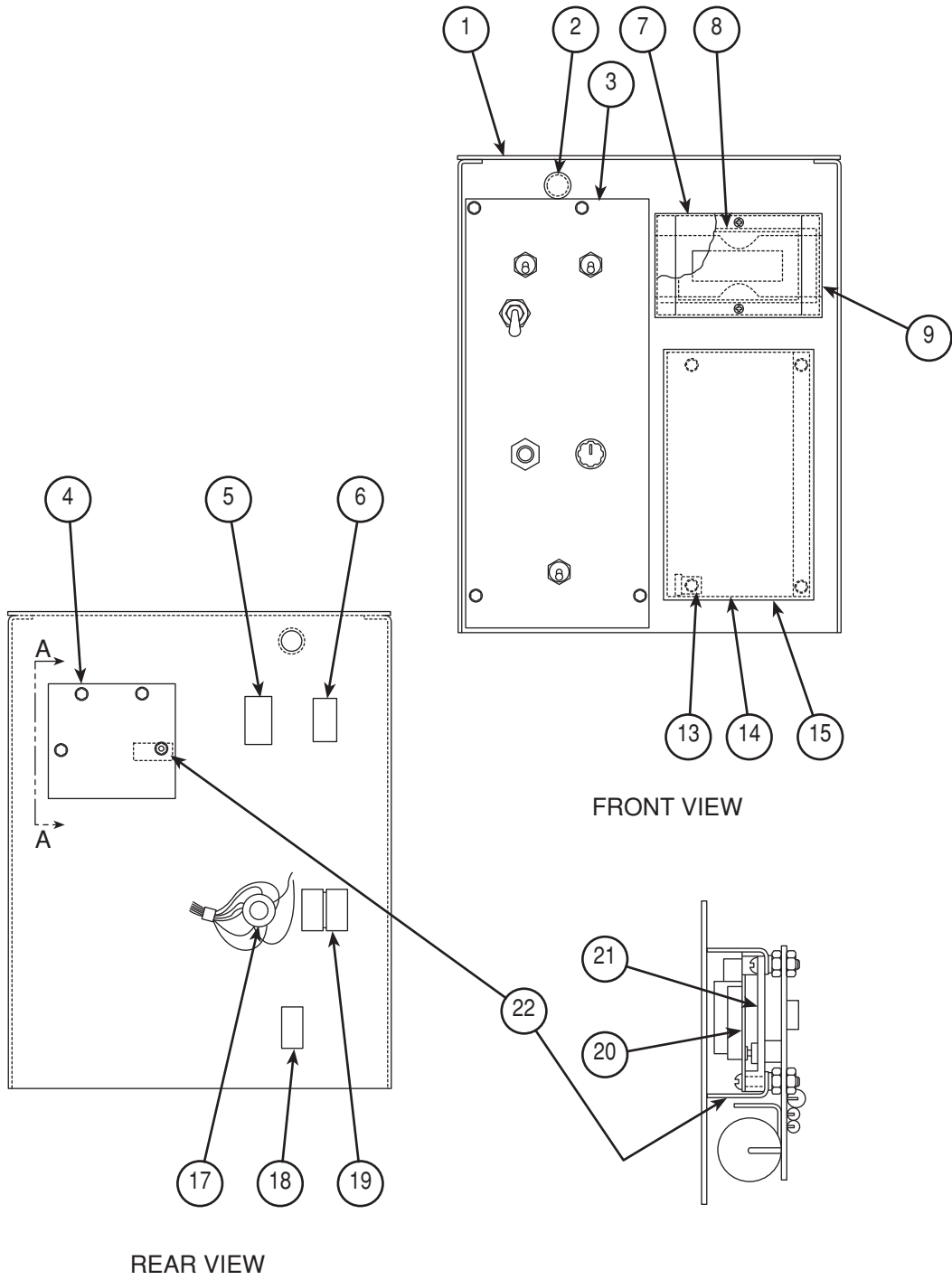
# Indicates a Change This Printing

ITEM	DESCRIPTION	PART NO.	QTY.	1	2	3	4	5	6	7	8	9
1	Control Box Welded Asbly (LN-9F) (Above Code 9100)	M13655-1	1	X								
1	Control Box Asbly (LN9F & 9FH) (Below 9100)	M13655	1	X								
1	Control Box Welded Asbly (LN-9F GMA)	M13655-3	1	X								
2	Resistor	S10404-75	1	X								
	#10-24 x 5.00 RHS	CF000045	1	X								
	Insulating Washer	T4479-A	2	X								
3	Sub Panel Assembly	See P-127-S	1	X								
4	Work Jack (Below Code 8400) (Not Shown)	T14280	1	X								
5	Door Assembly	See P-127-N	1	X								
9	Circuit Breaker (LN9F)	T12287-10	1	X								
9	Circuit Breaker (LN9FH & LN9F GMA)	T12287-8	1	X								
10	Push Button Switch	T14200	1	X								
11	Terminal Strip	S13323-5	1	X								
	Number Plate	T10726-130	1	X								
14	Plug Button	T13597-1	1	X								
17	Reed Switch Assembly	S12334-26	1	X								
18	Resistor	T12731-34F	1	X								
19	Terminal Strip	T10707	1	X								
22	Transformer Assembly	S14651-6 Ø	1	X								
23	Voltage PC Board Asbly (Below Code 9000)	L6084	1	X								
23	Voltage PC Board Asbly (Above Code 9000)	L6084-[ ]	1	X								
	Voltage Printed Circuit Board Insulation	S16364	1	X								
25	Warning Decal	T13470	1	X								
26	Patent Decal	S13232	1	X								
27	Start PC Board Asbly (Below 9000) (Not Shown)	M13750	1	X								
29	Potentiometer	S16296-1	2	X								
30	Felt Washer	T14034	2	X								
	Insulating Tube	T7028-241	2	X								
	Knob	T14091	2	X								
33	Warning Label	S16722-3A	1	X								
	Parts (Not Shown)											
	Tachometer Connector (Not Used On LN9F GMA)	S12021-18	1	X								
	Input Connector	S12021-12	1	X								
	Output Connector (LN9F & 9FH)	S12021-10	1	X								
	Output Connector (LN9F GMA)	S12021-37	1	X								

Note: When ordering new printed circuit boards indicate the dash number [ ] of the "Old" board that is to be replaced. This will aid Lincoln in supplying the correct and latest board along with any necessary jumpers or adapters. The dash number brackets [ ] have purposely been left blank so as to eliminate errors, confusion and updates.

Index of Sub Assemblies  
 Sub Assembly Illustration  
 Index of Sub Assemblies  
 Sub Assembly Illustration  
 Index of Sub Assemblies  
 Sub Assembly Illustration  
 Index of Sub Assemblies  
 Sub Assembly Illustration

# Door Assembly LN9F, LN9FH, & LN9F GMA



L7091  
2-1-85B

LN9 AND LN9 GMA

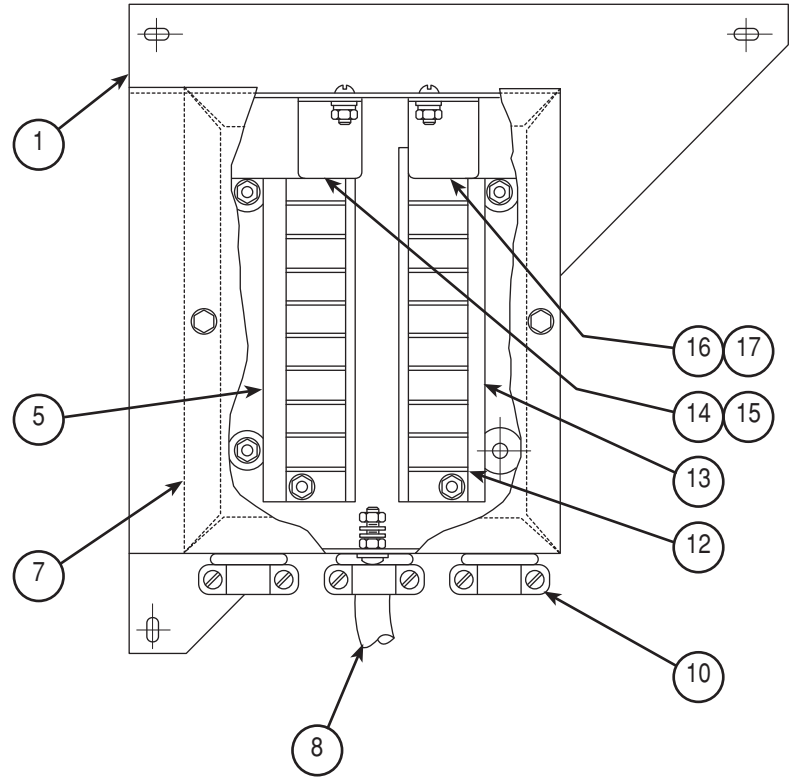
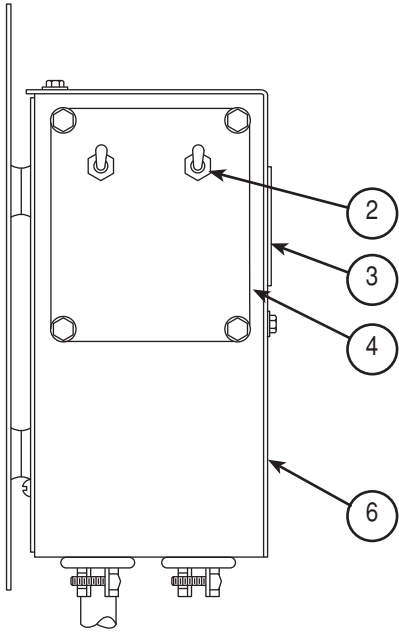


06-07-2011

Index of Sub Assemblies  
 Part Numbers  
 Index of Sub Assemblies  
 Part Numbers  
 Index of Sub Assemblies  
 Part Numbers  
 Index of Sub Assemblies  
 Part Numbers

		For Codes Below 8000, use parts marked "X" in Column 1. For Codes 8000 to 8700, use parts marked "X" in Column 2. For Codes Above 8700, use parts marked "X" in Column 3. For LN9F GMA, use parts marked "X" in Column 4.										
# Indicates a Change This Printing												
ITEM	DESCRIPTION	PART NO.	QTY.	1	2	3	4	5	6	7	8	9
	Door Assembly, Includes:	L6023	1	X	.	.	.					
	Door Assembly (LN9F Only), Includes:	L6185-1	1	.	X	.	.					
	Door Assembly (LN9FH Only), Includes:	L6185-2	1	.	X	.	.					
	Door Assembly (LN9F Metric), Includes:	L6667-1	1	.	X	.	.					
	Door Assembly (LN9FH Metric), Includes:	L6667-2	1	.	X	.	.					
	Door Assembly (LN9F Metric), Includes:	L7091-1	1	.	.	X	.					
	Door Assembly (LN9FH Metric), Includes:	L7091-2	1	.	.	X	.					
	Door Assembly (LN9F GMA), Includes:	L7367	1	.	.	.	X					
1	Door	S16336 Ø	1	X	.	.	X					
1	Door	S16336-2	1	.	.	.	X					
1	Door	S16336-1	1	.	X	X	.					
2	Button Plug	T13597-2	1	X	X	X	.					
2	Button Plug	T13597-2	4	.	.	.	X					
3	Nameplate	L6005	1	X	.	.	.					
3	Nameplate (LN9F Only)	L6183 Ø	1	.	X	.	.					
3	Nameplate (LN9FH Only)	L6184 Ø	1	.	X	.	.					
3	Nameplate (LN9F Metric)	L6183-1	1	.	X	X	.					
3	Nameplate (LN9F GMA)	L7348	1	.	.	X	.					
3	Nameplate (LN9FH Metric)	L6184-1	1	.	X	X	.					
4	Meter & P.C. Board Assembly	M13650	1	X	.	.	.					
4	Meter & P.C. Board (LN9F Only)	L6181-[ ]	1	.	X	.	.					
4	Meter & P.C. Board (LN9FH Only)	L6181-[ ]	1	.	X	.	.					
4	Meter & P.C. (LN9F Metric)	L6687-[ ]	1	.	X	X	.					
4	Meter & P.C. Board (LN9FH Metric & LN9F GMA)	L6688-[ ]	1	.	X	X	X					
5	Switch (Polarity)	T13111	1	X	X	X	X					
6	Switch & Transient Protector Assembly	T14535	1	X	X	X	.					
6	Switch (Direction)	T10800-7	1	.	.	.	X					
7	Bezel Assembly	S17414	1	.	.	X	X					
8	Meter Shield (Std. Clear Lens)	T14771	1	X	X	.	.					
8	Filter Lens	T14807-1	1	.	.	X	X					
9	Meter Shield Frame	M13572	1	X	X	X	X					
13	Lock Tab	T10045-40	1	X	X	X	X					
14	Dial Plate	S16277	1	X	X	X	X					
15	Security Panel	S16275	1	X	X	X	X					
17	Switch (LN9F Only)	T13111	1	X	X	.	.					
17	Switch (LN9FH Only)	T13381-2	1	.	X	.	.					
17	Switch (LN9FH Metric, LN9F GMA), Includes:	S16670-5	1	.	X	X	X					
	Knob	T13639	1	.	X	X	X					
18	Switch	T10800-4	1	X	.	.	.					
18	Switch (Hot-Cold Interlock)	T10800-12	1	.	X	X	X					
19	Switch & Actuator Assembly	T14751-1	1	X	X	X	X					
20	Meter & Pin Assembly	S16636	1	.	X	.	.					
20	Digital Meter P.C. Board	M14490-[ ]	1	.	.	X	X					
21	P.C. Board Spacer	M14537	1	.	.	X	X					
22	Printed Circuit Board Insulation	T14468	1	X	.	X	X					
	<b>Items Not Shown:</b>											
	Fiber Washer	S10773-15	2	X	X	X	X					
	Felt Washer	T14034	2	X	X	X	X					
	Insulating Tube	T7028-241	2	X	X	X	X					
	Potentiometer	S16296-1	2	X	X	X	X					
	Knob	T14091	2	X	X	X	X					

# K317 Dual Process Kit



M13524  
10-8-82G

Index of Sub Assemblies  
Index of Sub Assemblies  
Index of Sub Assemblies  
Index of Sub Assemblies

Part Numbers  
Part Numbers  
Part Numbers  
Part Numbers

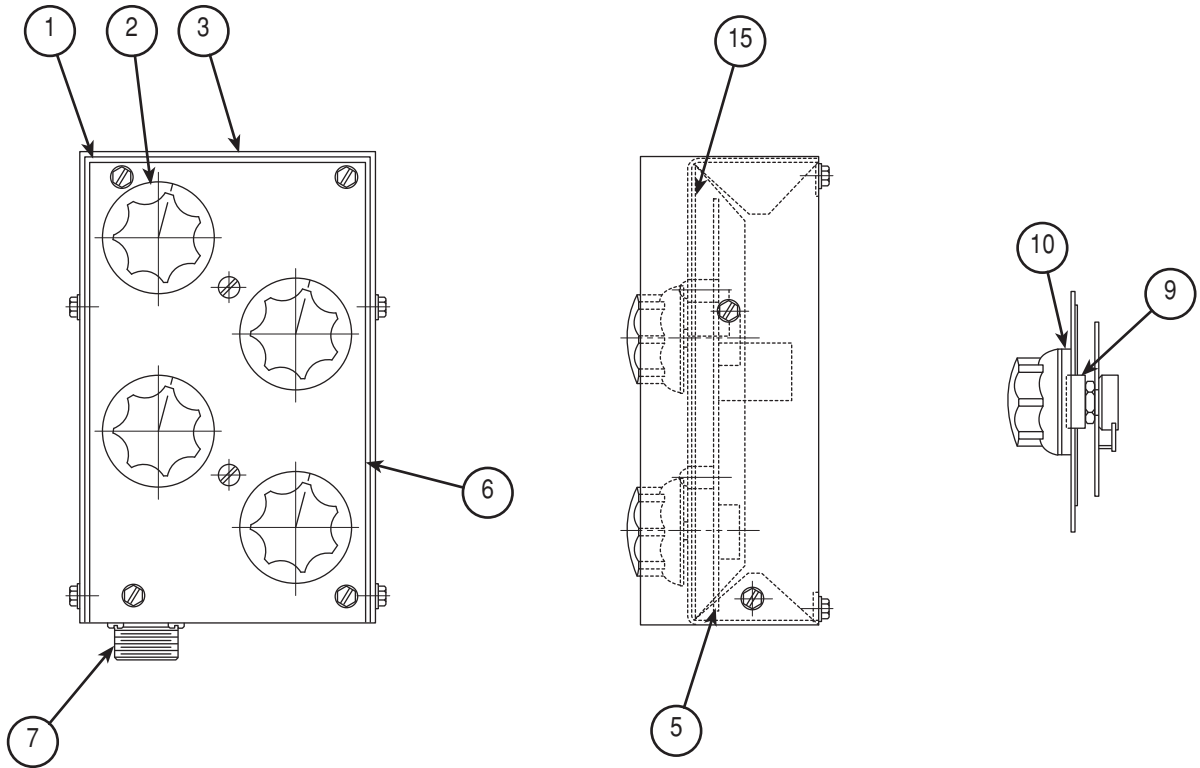
# Indicates a Change This Printing

ITEM	DESCRIPTION	PART NO.	QTY.	1	2	3	4	5	6	7	8	9
1	Mounting Bracket	M13696	1	X								
2	Toggle Switch	T13381	2	X								
3	Caution Decal	T13470	1	X								
4	Nameplate	S16391	1	X								
5	Number Plate	T10726-125	1	X								
6	Cover	M13692	1	X								
7	Case Welded Assembly	S16191	1	X								
8	Control Cable	S16190	1	X								
10	Box Connector	T9639-1	2	X								
12	Terminal Strip	S8542-1	2	X								
13	Number Plate	T10726-126	1	X								
14	Relay (1CR)	T13845-3	1	X								
15	I.D. Sticker	T12286-1	1	X								
16	Relay (2CR)	S14293-7	1	X								
17	I.D. Sticker	T12286-2	1	X								



Index of Sub Assemblies  
 Sub Assembly Illustration  
 Index of Sub Assemblies  
 Sub Assembly Illustration  
 Index of Sub Assemblies  
 Sub Assembly Illustration  
 Index of Sub Assemblies  
 Sub Assembly Illustration

# K319 Dual Procedure Kit



L6055  
11-5-82M

Index of Sub Assemblies  
Part Numbers

Index of Sub Assemblies  
Part Numbers

Index of Sub Assemblies  
Part Numbers

Index of Sub Assemblies  
Part Numbers

# Indicates a Change This Printing

ITEM	DESCRIPTION	PART NO.	QTY.	1	2	3	4	5	6	7	8	9
1	Control Box	L6054	1	X								
2	Rheostat Knob	T10491	4	X								
3	Cover	M13652	1	X								
4	Insulation	S16384	1	X								
5	P.C. Board Assembly	M13679-[ ]	1	X								
6	Nameplate	S16382	1	X								
7	Receptacle Assembly	S13100-63	1	X								
9	Insulating Tube	T14767	4	X								
10	Shaft Seal	T14034	4	X								
	Insulating Tube	T7028-241	2	X								
	<b>Items Not Shown:</b> Gun Mounted Selector Switch & Cable Assembly, Includes:											
	3 pin Amphenol Connector	S16383	1	X								
	Cable Clamp	S12020-16	1	X								
	Cable Clamp	S12024-4	1	X								
	Extension Cable Assembly, Includes:	M13681	1	X								
	3 socket Amphenol Connector	S12023-8	1	X								
	3 pin Amphenol Connector	S12020-16	1	X								
	Cable Clamp	S12024-4	2	X								



Index of Sub Assemblies

Sub Assembly Illustration

Index of Sub Assemblies

Sub Assembly Illustration

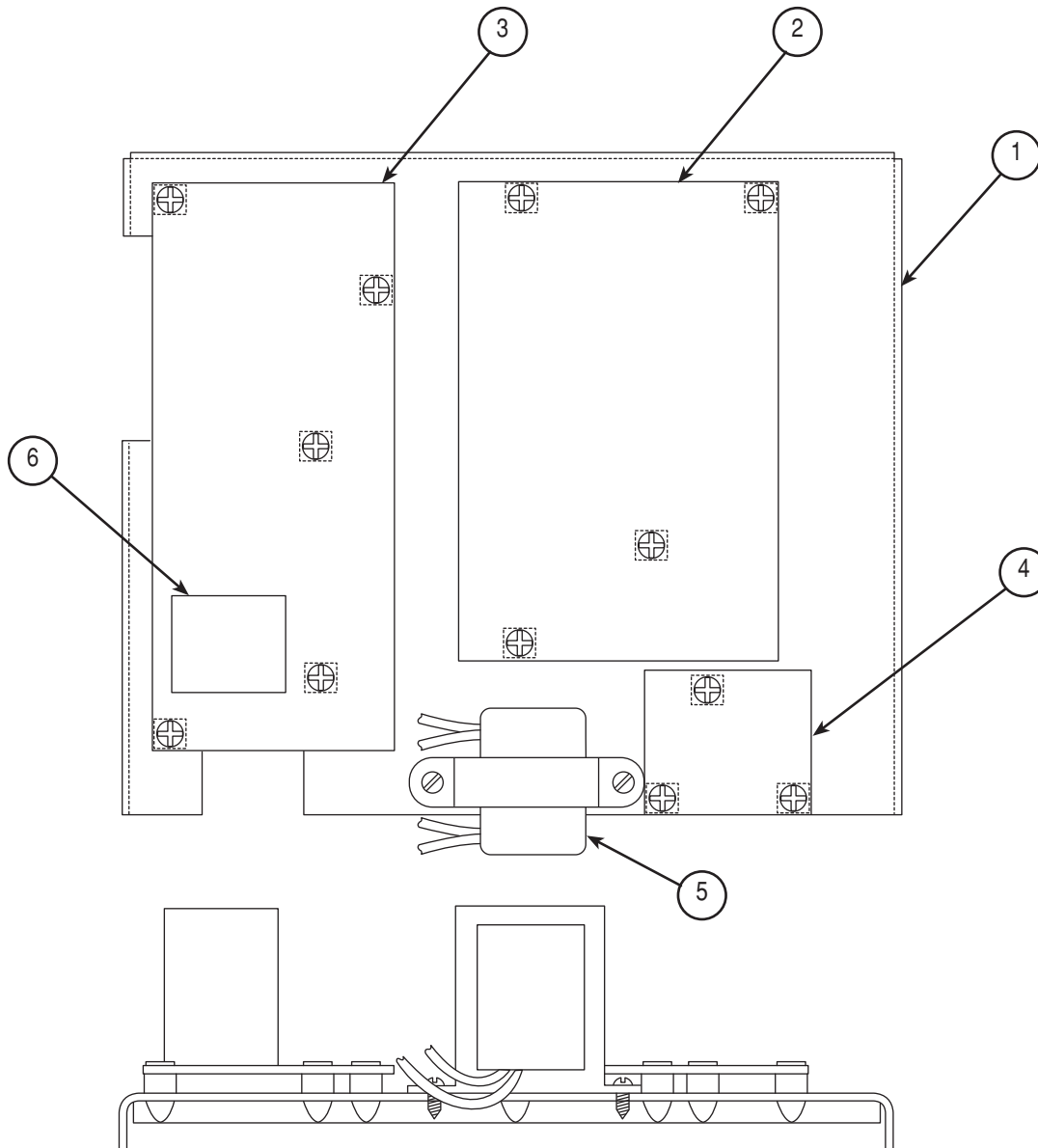
Index of Sub Assemblies

Sub Assembly Illustration

Index of Sub Assemblies

Sub Assembly Illustration

# INSTRUMENT PANEL LN9F, LN9FH & LN9F GMA



Index of Sub Assemblies  
Part Numbers

Index of Sub Assemblies  
Part Numbers

Index of Sub Assemblies  
Part Numbers

Index of Sub Assemblies  
Part Numbers



# Indicates a Change This Printing

ITEM	DESCRIPTION	PART NO.	QTY.	1	2	3	4	5	6	7	8	9
	Sub Panel Asbly, Includes: (Below Code 8000)	M13647	1	X								
	Sub Panel Asbly (Above 8000 LN9F & FH), Includes:	M13647-1	1	X								
	Sub Panel Asbly, Includes: (LN9F GMA)	M13647-1	1	X								
1	Sub Panel (Below Code 8000)	M13626	1	X								
	Sub Panel (Above Code 8000)	M13872-1	1	X								
2	Control PC Board (LN9F & FH)	L6019	1	X								
2	Control PC Board (LN9F GMA) (Below Code 10352)	L7253-[ ]	1	X								
2	Control PC Board (LN9F GMA) (Above 10352)	L10068-[ ]	1	X								
	Plastic Expansion Nut	S14020-3	4	X								
	Self Tapping Screw	S8025-71	4	X								
3	Power Printed Circuit Board (LN9F & FH)	L6043-[ ]	1	X								
3	Control Printed Circuit Board (LN9F GMA)	L7265-2	1	X								
	Plastic Expansion Nut	S14020-3	5	X								
	Self Tapping Screw	S8025-71	5	X								
4	Trigger Printed Circuit Board (Below Code 8000)	M13630	1	X								
4	Trigger Printed Circuit Board (Above Code 8000)	M13861-[ ]	1	X								
	Plastic Expansion Nut	S14020-3	3	X								
	Self Tapping Screw	S8025-71	3	X								
5	Transformer Assembly	S16282	1	X								
5	Transformer Assembly (Used with Trigger Board)	S16282-1	1	X								
6	Power Board Relay	S13929-6	1	X								



Index of Sub Assemblies  
 Sub Assembly Illustration  
 Index of Sub Assemblies  
 Sub Assembly Illustration  
 Index of Sub Assemblies  
 Sub Assembly Illustration  
 Index of Sub Assemblies  
 Sub Assembly Illustration

## Conversion Kit Chart

### LN9 GMA (2 Roll Drive)

WIRE	CONVERSION KIT	INCOMING GUIDE	DRIVE ROLL	OUTGOING GUIDE TUBE	OUTGOING GUIDE INSERT	DRIVE ROLL SPACER
.068"-5/64 Cored (.062) 1/16 Cored or Solid*	KP653-3/32	KP2139-8	S14541-3/32 (2 Req'd)	KP2125-5	KP2125-8	S13342-3/32
.045 & .052"	KP653-052C	KP2139-3	S14542-052	KP1999-1	KP2124-3	None
.045"-.052" Cored	KP653-052C	KP2139-3	M17301 (2 Req'd)	KP1999-1	KP2124-3	None
.023"-.035" Solid	KP653-035S	KP2139-3	M17301-035	KP2125-1	KP2124-1	T14984
.030 Solid	KP653-030S	KP2139-1	M17301-030	KP2125-1	KP2124-1	T14984
.035 Cored	KP653-030C	KP2139-3	M17301-030	KP2125-1	KP2124-1	T14984
.035 Solid	KP653-035S	KP2139-3	M17301-035	KP2125-1	KP2124-1	T14984
7/64 Cored	KP653-7/64H	KP2139-8	M17302-120	KP2125-4	KP2124-7	None
.120 Cored	KP653-120C	KP2139-7	M17302-120	KP2125-4	KP2124-7	None
1/16A	KP654-1/16A	KP2139-5	S17092-1/16A	KP2125-3	KP2124-5	Wing Screw T9078-3
3/64A	KP654-3/64A	KP2139-3	S17092-035A	KP1999-1	KP2124-1	Wing Screw T9078-3
.035A	KP654-035A	KP2139-1	S17092-035A	KP2125-1	KP2124-1	Wing Screw T9078-3

\* Can be used for .052

### LN9 GMA (4 Roll Drive)

WIRE SIZE GUIDE	CONVERSION KIT	INCOMING GUIDE TUBE ASSEMBLY	DRIVE ROLL	SPACER (2 REQ'D)	OUTGOING GUIDE TUBE	OUTGOING GUIDE INSERT	MIDDLE INSERT L(LOOSE)
.023 - .025S	KP655-025S	KP2139-2	M17301-025	T14984	KP2125-1	KP2124-1	KP2114-1
.030 Solid	KP655-030S	KP2139-2	M17301-030	T14984	KP2125-1	KP2124-1	KP2114-1
.035 Cored	KP655-035C	KP2139-4	M17302-035	None	KP2125-1	KP2124-1	KP2114-1
.035 Solid	KP655-035S	KP2139-4	M14932 (2 Req'd)	T14984	KP2125-1	KP2124-1	KP2114-1
.045 & .052" Solid	KP655-052S	KP2139-4	S14542-052 (2 Req'd)	None	KP1999-1	KP2124-3	KP2114-2
.045 - .052" Cored	KP655-052C	KP2139-4	S14541-052 (4 Req'd)	None	KP1999-1	KP2124-3	KP2114-2
1/16 Solid	KP655-1/16	KP2139-6	S14541-1/16 (4 Req'd)	None	KP2125-3	KP2124-5	KP2114-3
.068 - 3/32 Cored	KP655-3/32	KP2139-9	S14541-3/32 (4 Req'd)	S13342-3/32	KP2125-5	KP2124-8	KP2114-5
.120 Cored	KP655-120C	T13467-120F	M17302-120	None	KP2125-4	KP2124-7	KP2114-4
1/16A	KP656-1/16A	KP2132-1	S17092-1/16A (2 Req'd)	None	KP2137-2	S14349-1/16L	KP2115
3/64A	KP656-3/64A	KP2132-2	S17092-3/64A (2 Req'd)	None	KP2137-3	S14349-045 L	KP2115-2
.035A	KP656-035A	S21273-3/64F	S17092-035F(2 Req'd)	None	KP2137-1	S14349-045L	KP2115-2

# NOTES

---

Index of Sub Assemblies

Index of Sub Assemblies

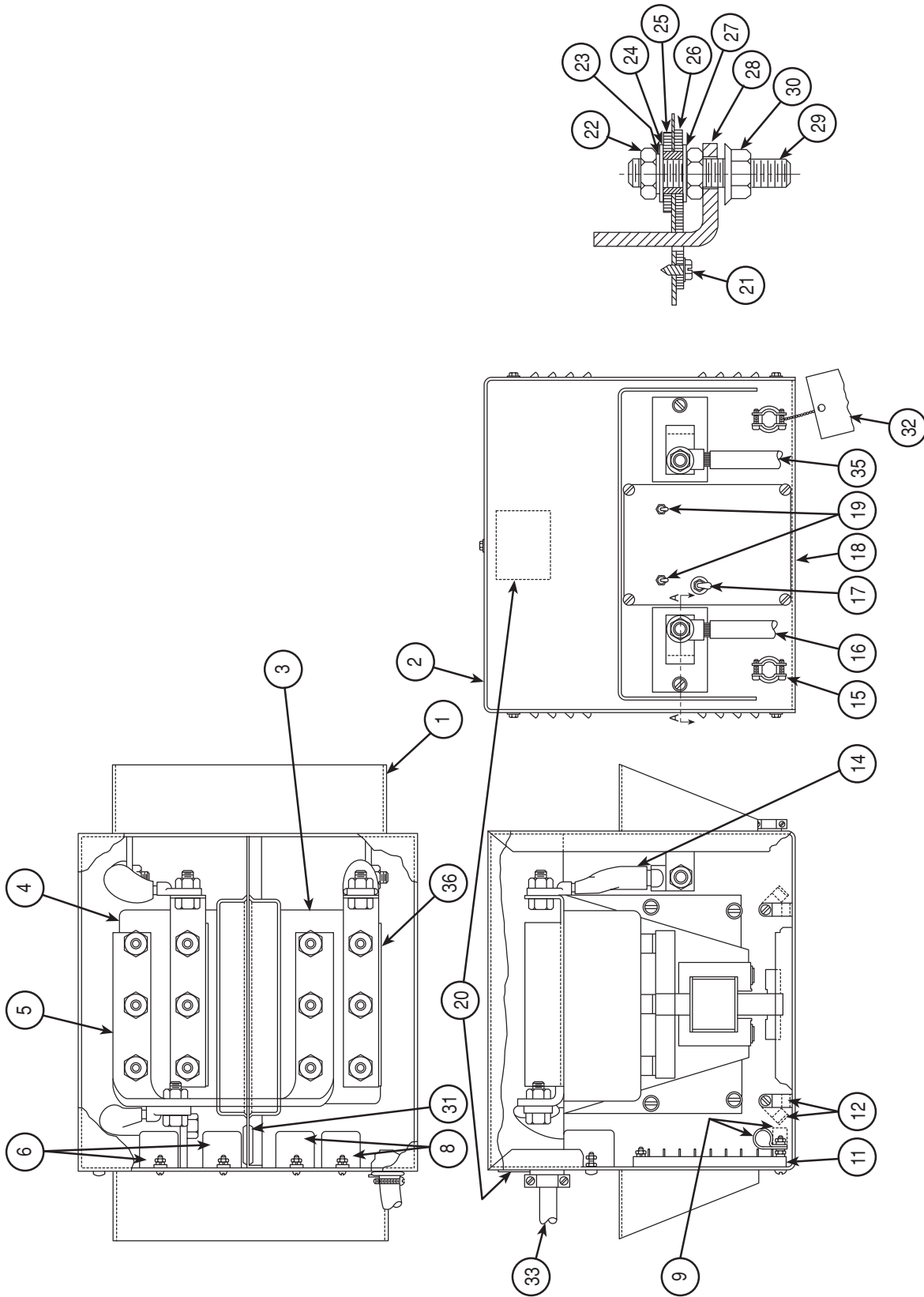
Index of Sub Assemblies

Index of Sub Assemblies

LN9 AND LN9 GMA



# K318 Dual Process Contactor Kit



Index of Sub Assemblies  
 Index of Sub Assemblies  
 Index of Sub Assemblies  
 Index of Sub Assemblies  
 Part Numbers  
 Part Numbers  
 Part Numbers  
 Part Numbers

# Indicates a Change This Printing

For Code 8002, use parts marked "X" in Column 1.  
For all other Codes, use parts marked "X" in Column 2.

ITEM	DESCRIPTION	PART NO.	QTY.	1	2	3	4	5	6	7	8	9
1	Case	M13673-1 Ø	1	X	•							
1	Case	M13673-2	1	•	X							
2	Wraparound	L3153	1	X	X							
3	Contactora (Less NVR Coil)	L4300-31A	1	X	•							
3	Contactora (Less NVR Coil)	L4300-33A	1	•	X							
	NVR Coil	S17-3	1	X	X							
4	Contactora (Less NVR Coil)	L4300-30A	1	X	•							
4	Contactora (Less NVR Coil)	L6200-32A	1	•	X							
	NVR Coil	S17-3	1	X	X							
5	Contactora Jumper	M8427-1	1	X	X							
6	Relay	S14293-7	1	X	•							
6	Relay	S14293-8	2	•	X							
8	Relay	S14293-7	1	X	•							
8	Relay	S14293-7	2	•	X							
9	Lead Clamp	T12563-11	2	X	X							
11	Terminal Strip	S8542-1	2	X	•							
11	Terminal Strip	S8542-2 Ø	2	•	X							
	Number Plate	T10726-125	1	X	•							
	Number Plate	T10726-136 Ø	1	•	X							
	Number Plate	T10726-126	1	X	•							
	Number Plate	T10726-137 Ø	1	•	X							
12	Lead Clamp	T12363-11	4	X	X							
14	Cable	L2286-139	3	X	X							
15	Box Connector	T9639-1	2	X	X							
16	Cable	L2286-256	1	X	X							
17	Transfer Switch	T10800-14	1	X	X							
18	Nameplate	M13677	1	X	X							
19	Mode Switch	T13381	2	X	X							
20	Caution Decal	T13470	1	X	X							
21	Self Tapping Screw	S8025-65	3	X	X							
22	1/2-13 HJN	CF000054	6	X	X							
23	Lock Washer	E106A-15	3	X	X							
24	Plain Washer	S9262-1	6	X	X							
25	Insulating Washer	S10773-9	3	X	X							
26	Insulating Panel	T14373	3	X	X							
27	Insulating Tube	T14374	3	X	X							
28	Connection Strap	T8141	3	X	X							
29	Stud	T6931-11	3	X	X							
30	Flanged Nut	T3960	3	X	X							
31	Grommet	T8965	1	X	X							
32	Reconnect Tag	T11590-52	1	X	X							
33	Control Cable	S16378 Ø	1	X	•							
33	Control Cable	S16677 Ø	1	•	X							
35	Cable	L2286-255	1	X	X							
36	Contactora Jumper	S13472-2	2	X	X							

Index of Sub Assemblies  
 Sub Assembly Illustration  
 Index of Sub Assemblies  
 Sub Assembly Illustration  
 Index of Sub Assemblies  
 Sub Assembly Illustration  
 Index of Sub Assemblies  
 Sub Assembly Illustration

## Conversion Kit Chart

### LN9 (4 Roll Drive)

WIRE	CONVERSION KIT	INCOMING GUIDE	DRIVE ROLL (2 REQ'D)	IDLE ROLL ASSEMBLY	OUTGOING GUIDE TUBE	OUTGOING GUIDE INSERT	MIDDLE GUIDE
7/64"-.120 & 2.8-3.0 mm Cored	KP545-120	KP2123-4	T12057-120	S12722-120	KP2119-1	KP2131-1	KP2129-4
.068 & 3/32 1.7-2.4 mm Cored & Solid	KP545-3/32	KP2123-5	T12057-3/32	S12722-3/32	KP2119-2	KP2131-2	KP2129-5
1/16" & 1.6mm Solid	KP545-1/16	KP2123-3	S13343-1/16	S12722-1/16	KP2117-3	KP2130-3	KP2129-3
1/16 & 1.6mm Cored or Solid	KP545-1/16C	KP2123-3	T12057-1/16	S12722-1/16	KP2117-3	KP2130-3	KP2129-3
.045"-.052" & 1.0-1.4 mm Solid	KP545-052	KP2123-2	S13343-052	S12722-052	KP2117-2	KP2130-2	KP2129-2
.045"-.052" & 1.0-1.4mm Cored	KP545-052C	KP2123-2	T12057-052	S12722-052	KP2117-2	KP2130-2	KP2129-2
.030"-.035" & 0.8-0.9mm Solid	KP545-035	KP2123-1	S13343-035	S12722-035	KP2117-1	KP2130-1	KP2129-1
1/16" & 1.6mm	KP546-1/16A	KP2123-3	S17729-1/16	S17731-1/16	KP2117-3	KP2130-3	KP2129-3
3/64" & 1.2mm	KP546-3/64A	KP2123-2	S17729-3/64	S17731-3/64	KP2117-2	KP2130-2	KP2129-2
.035" & 0.9mm	KP546-035A	KP2123-1	S17729-035	S17731-035	KP2117-1	KP2130-1	KP2129-1

### LN-9 (2 Roll Drive)

WIRE	CONVERSION KIT	INCOMING GUIDE	DRIVE ROLL	IDLE ROLL ASSEMBLY	OUTGOING GUIDE TUBE	OUTGOING GUIDE INSERT
7/64"-.120 & 2.8-3.0 mm Cored	KP502-120	KP2123-4	T12057-120	S12722-120	KP2119-1	KP2120-1
.068 & 3/32 1.7-2.4 mm Cored & Solid	KP502-3/32	KP2123-5	T12057-3/32	S12722-3/32	KP2119-2	KP2120-2
1/16" & 1.6mm Solid	KP502-1/16	KP2123-3	S13343-1/16	S12722-1/16	KP2117-3	KP2118-3
1/16 & 1.6mm Cored	KP502-1/16C	KP2123-3	T12057-1/16	S12722-1/16	KP2117-3	KP2118-3
.045"-.052" & 1.0-1.4 mm Solid	KP502-052	KP2123-2	S13343-052	S12722-052	KP2117-2	KP2118-2
.045"-.052" & 1.0-1.4mm Cored	KP502-052C	KP2123-2	T12057-052	S12722-052	KP2117-2	KP2118-2
.030"-.035" & 0.8-0.9mm Solid	KP502-035	KP2123-1	S13343-035	S12722-035	KP2117-1	KP2118-1
7/64" & 2.8 Hardfacing	KP502-7/64H	KP2123-4	T12057-7/64H	S12722-7/64H	KP2119-1	KP2120-1
1/16" & 1.6mm	KP503-1/16A	KP2123-3	S17729-1/16	S17731-16	KP2117-3	KP2118-3
3/64" & 1.2mm	KP503-3/64A	KP2123-2	S17729-3/64	S17731-3/64	KP2117-2	KP2118-2
.035" & 0.9mm	KP503-035A	KP2123-1	S17729-035	S17731-035	KP2117-1	KP2118-1

Some Drive Rolls Available Only in a Kit.