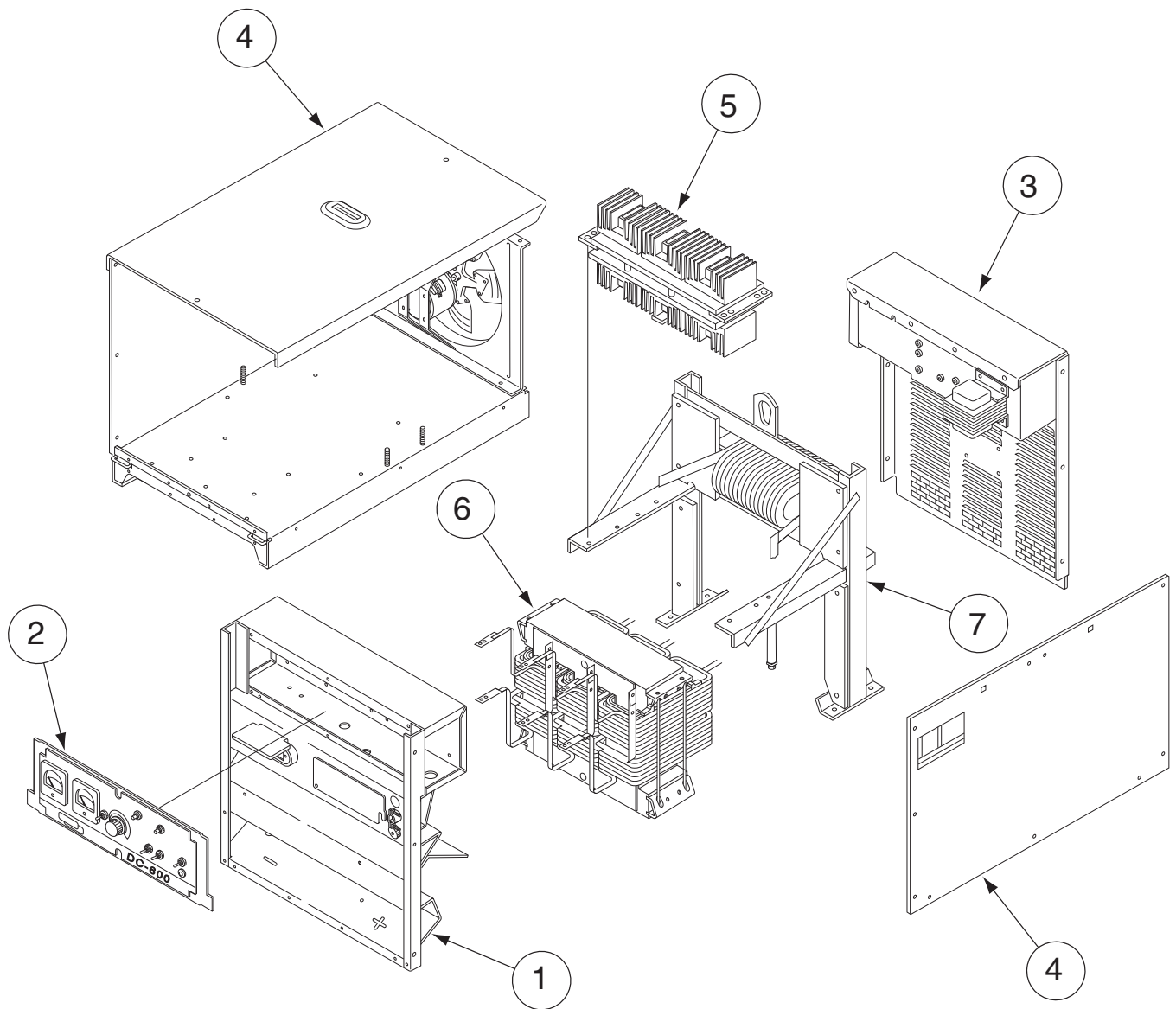


**PARTS LIST FOR**  
**RED-D-ARC DC-600**

# ILLUSTRATION OF SUB-ASSEMBLIES

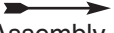





# RED-D-ARC DC-600

## For Codes: 10663, 11073, 11134

Do Not use this Parts List for a machine if its code number is not listed. Contact the Service Department for any code numbers not listed.

Use the Illustration of Sub-Assemblies page and the table below to determine which sub assembly page and column the desired part is located on for your particular code machine.

 Sub Assembly Item No.			1	2	3	4	5	6	7
SUB ASSEMBLY PAGE NAME 	Optional Equipment	Miscellaneous Items	Control Box Assembly (Case Front Panel Assembly, Shown)	Case Front Panel Assembly (Control Box Assembly, Shown)	Case Rear Panel Assembly	Base, Fan, Sides & Roof	Rectifier Assembly	Transformer Assembly	Lift Bale & Choke Assembly
PAGE NO. 	P362-B.1	P362-B.2	P362-C	P362-D	P362-E	P362-F	P362-G	P362-H	P362-J
CODE NO. 									
10663 (230/460/575/3/60)			1	1	1	1	1	1	1
11073 (230/460/575/3/60)			1	2	2	2	1	1	1
11134 (230/460/575/3/60)			1	3	2	2	1	1	1

# OPTIONAL EQUIPMENT LISTING

Miscellaneous Options Available for your machine are listed below:

# Indicates a change this printing.

DESCRIPTION .....	PART NUMBER
-------------------	-------------

- |   |               |
|---|---------------|
| Remote Output Control .....               | Order K775    |
| Multi-purpose Switch .....                | Order K804-1  |
| Undercarriage (3 Polyolefin Wheels) ..... | Order K817P   |
| Undercarriage (Twin Gas Cylinder) .....   | Order K842    |
| Remote Output Control .....               | Order K857    |
| Remote Control Adapter .....              | Order K864    |
| Tig Module .....                          | Order K930-2  |
| Paralleling Kit .....                     | Order K1611-1 |

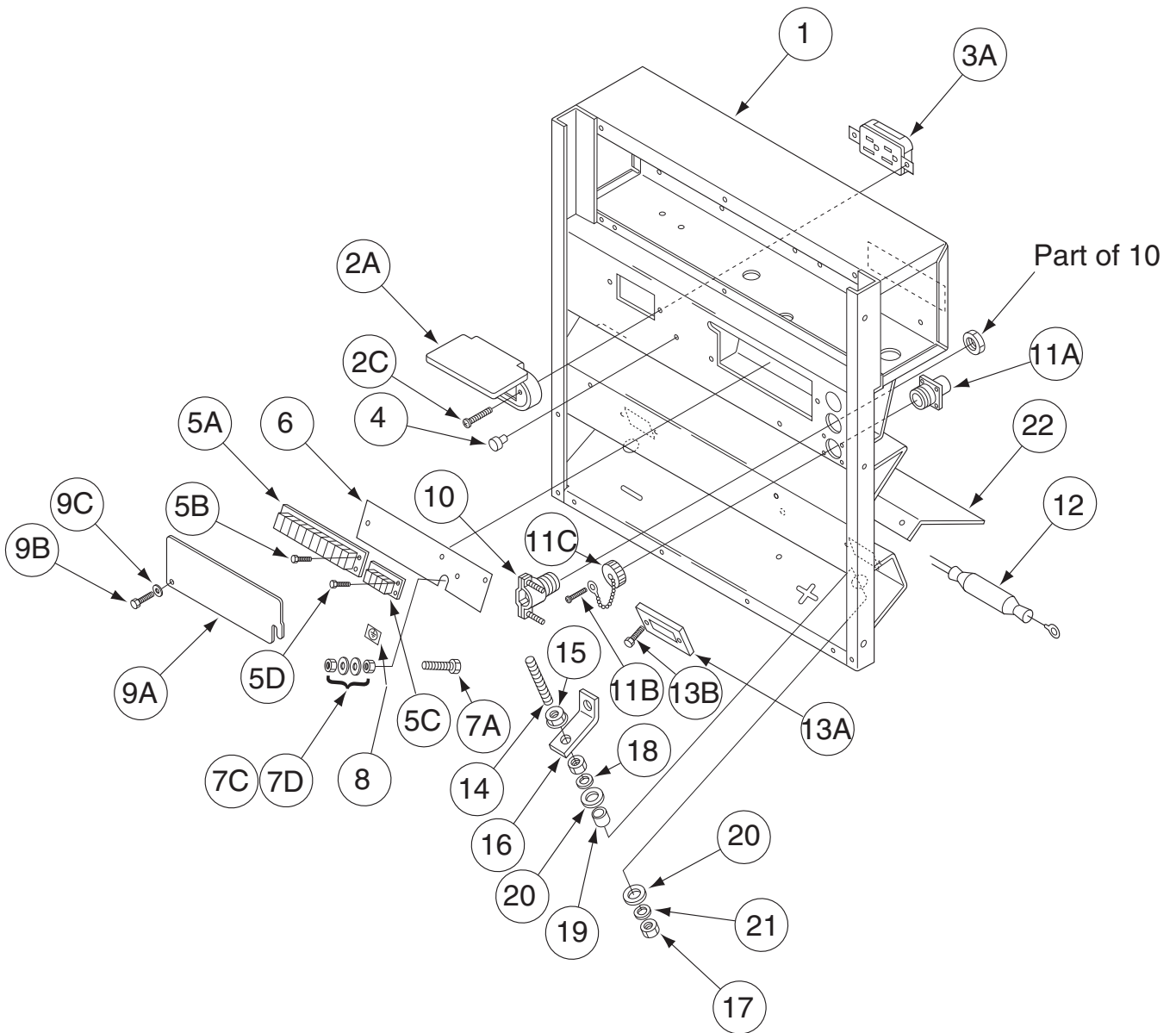
MISCELLANEOUS ITEMS  
(THESE ITEMS ARE NOT ILLUSTRATED)

# Indicates a change this printing.

Use only the parts marked "x" in the column under the heading number called for in the model index page.

DESCRIPTION	PART NO.	QTY.	1	2	3	4	5	6	7	8	9
Main Wiring Harness	G3576	1	X								
Air Baffle	S18806-1	1	X								
Grommet Strip	T12823-5	1	X								
Plug & Lead Assembly (22, J23)	S18250-573	1	X								

# Control Box Assembly (Case Front Panel Assembly, Shown)

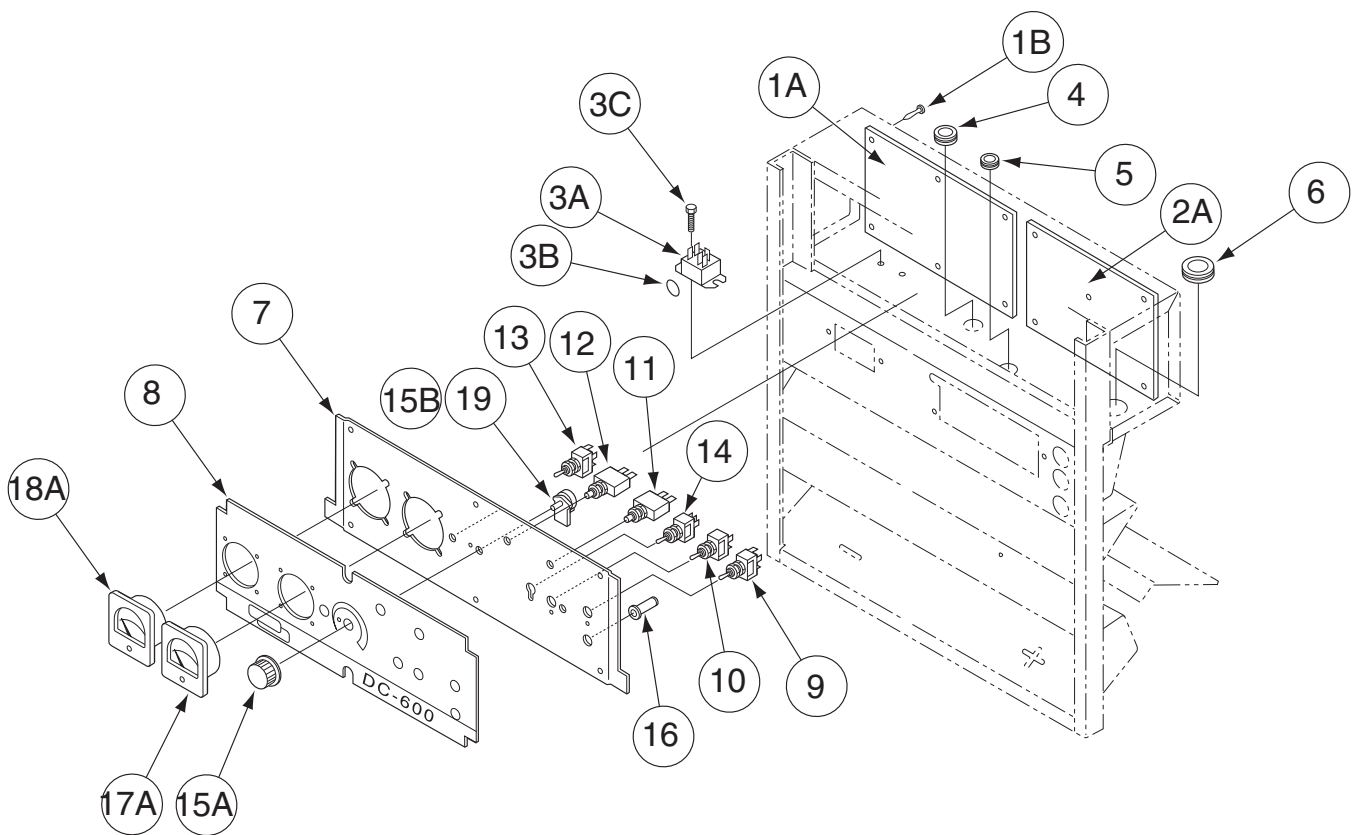


# Indicates a change this printing.

Use only the parts marked "x" in the column under the heading number called for in the model index page.

ITEM	DESCRIPTION	PART NO.	QTY.	1	2	3	4	5	6	7	8	9
1	Front Panel Welded Assembly	L11047-1	1	X								
2A	Receptacle Cover (Domestic only)	S21316	1	X								
2B	Receptacle Gasket (Not Shown)	S21088	1	X								
2C	Thread Forming Screw	S9225-63	2	X								
2D	Lock Washer (Not Shown)	E106A-1	2	X								
2E	#10-24 Hex Nut	CF000010	2	X								
3A	Receptacle (GFCI) (Domestic & Canada)	S20467	1	X								
3B	Receptacle Lead Assembly (Not Shown)	S24493	1	X								
4	Door Bumper	T14882	1	X								
5A	Terminal Strip	S8542-13	1	X								
5B	Self Tapping Screw	S8025-62	2	X								
5C	Terminal Strip	S14530-12	1	X								
5D	Self Tapping Screw	S8025-15	2	X								
6	Number Plate	S22733	1	X								
7A	Thread Forming Screw	S9225-36	1	X								
7B	Lock Washer (Not Shown)	T9695-1	1	X								
7C	Plain Washer	S9262-27	2	X								
7D	#10-24 Hex Nut	CF000010	2	X								
8	Decal - Earth Ground Connection	T13260-4	1	X								
9A	Cover	S24463-1	1	X								
9B	Stainless Screw	S24739-1	2	X								
9C	Plain Washer	S9262-136	1	X								
10	Box Connector	T9639-1	1	X								
11A	Cable Connector & Lead Assembly	S13100-224	1	X								
11B	Self Tapping Screw	S8025-96	4	X								
11C	Cable Connector Cap	S17062-3	1	X								
12	Output By-Pass	S24497	1	X								
13A	Terminal Insulator	T14206	2	X								
13B	Stainless Screw	S24739-1	4	X								
14	Stud	T6931-10	2	X								
15	Stud Nut	T3960	2	X								
16	Connection Strap	S16326	2	X								
17	1/2-13 Hex Jam Nut	CF000054	4	X								
18	Plain Washer	S9262-1	4	X								
19	Insulating Tube	T4122	2	X								
20	Insulating Washer	S10773-9	4	X								
21	Lock Washer	E106A-15	2	X								
22	Air Baffle	S18806-1	1	X								
23	Suppressor Assembly, (Not Shown)	S18858	1	X								
23A	Thread Forming Screw (Not Shown)	S9225-36	1	X								
23B	Lock Washer (Not Shown)	T9695-1	1	X								
23C	#10-24 Hex Nut (Not Shown)	CF000010	1	X								

# Case Front Panel Assembly (Control Box Assembly, Shown)





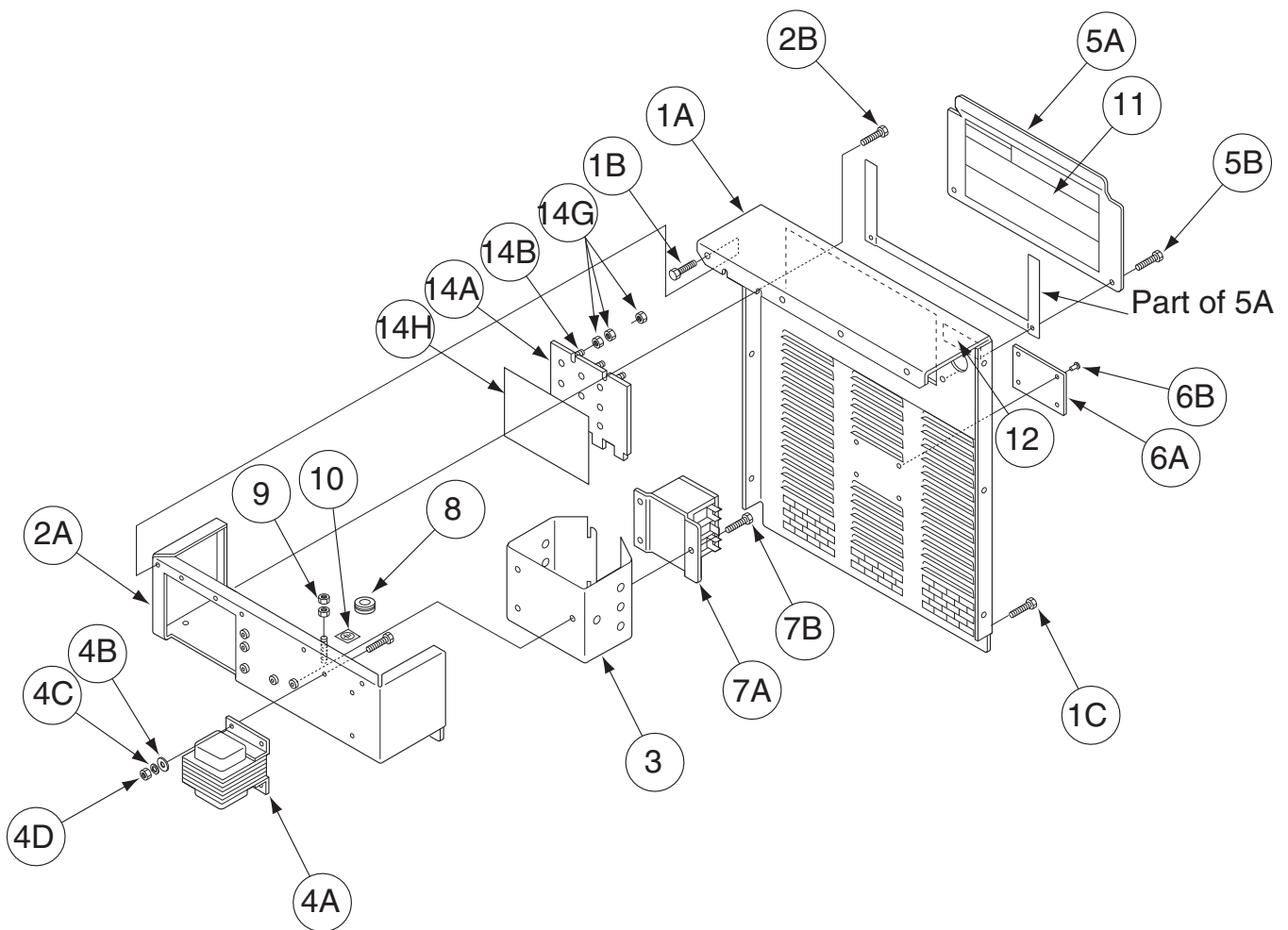
# Indicates a change this printing.

Use only the parts marked "x" in the column under the heading number called for in the model index page.

ITEM	DESCRIPTION	PART NO.	QTY.	1	2	3	4	5	6	7	8	9
1A	Firing P.C. Board	G3742-[ ]	1	X	X	X						
1B	Support (P.C. Board)	S19300-3	6	X	X	X						
2A	Control P.C. Board	G3409-[ ]	1	X	X	X						
2B	Support (P.C. Board) (Not Shown)	S19300-3	5	X	X	X						
3A	Relay	S15122-11	1	X	X	X						
3B	Identification Sticker (2CR)	T12286-2	1	X	X	X						
3C	Self Tapping Screw	S8025-62	2	X	X	X						
4	Bushing	T14614-1	1	X	X	X						
5	Bushing	T14614-2	1	X	X	X						
6	Bushing	T12380-1	1	X	X	X						
7	Control Box Cover	M19522-2	1	X	X	X						
8	Nameplate	M19524	1	X	•	•						
8	Nameplate	M19524-1	1	•	X	X						
9	Power Switch (S1) (On/Off)	T10800-20	1	X	X	X						
10	Output Terminal Switch (S2) (Remote/On)	T10800-20	1	X	X	X						
11	Circuit Breaker (10A)	T12287-20	1	X	X	X						
12	Circuit Breaker (15A)	T12287-34	1	X	X	•						
12	Circuit Breaker (15A)	T12287-37	1	•	•	X						
13	Local/Remote Switch (C3)	T10800-39	1	X	X	X						
14	Welding Mode Switch (S4) (CV/Stick, CV/Innershield)	T13381-3	1	X	X	X						
15A	Knob	T10491	1	X	X	X						
15B	Output Control Potentiometer (R)	T10812-97	1	X	X	X						
16	Pilot Light	T13486-1	1	X	X	X						
17A	D.C. Ammeter	M10485-5	1	X	X	X						
17B	Plain Washer (Not Shown)	S9262-39	4	X	X	X						
18A	D.C. Voltmeter	M10486-3	1	X	X	X						
18B	Plain Washer (Not Shown)	S9262-39	4	X	X	X						
19	Potentiometer Spacer	S18280	1	X	X	X						

Note: When ordering new printed circuit boards indicate the dash number [ ] of the "Old" board that is to be replaced. This will aid Lincoln in supplying the correct and latest board along with any necessary jumpers or adapters. The dash number brackets [ ] have purposely been left blank so as to eliminate errors, confusion and updates.

# Case Rear Panel Assembly

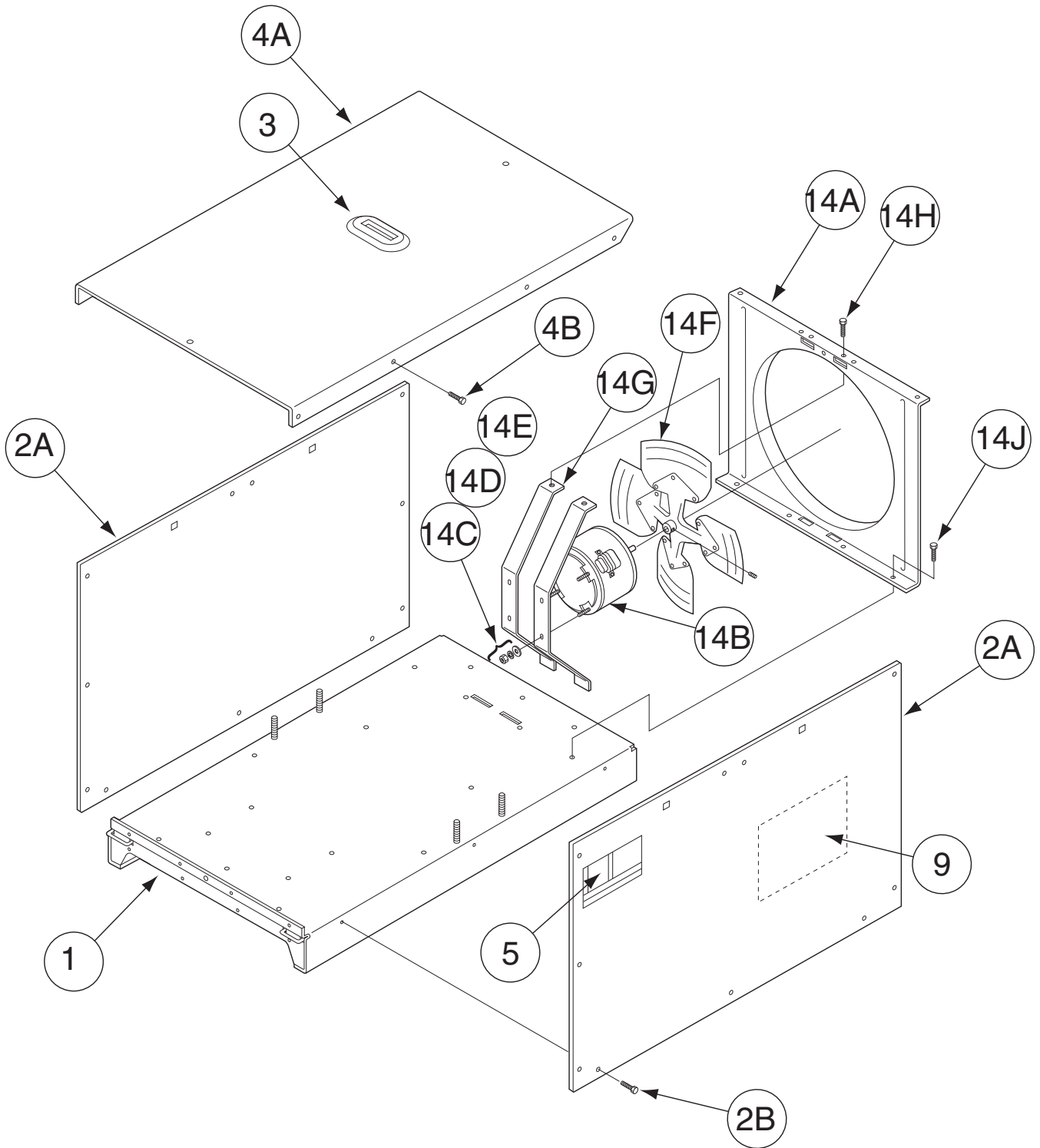


# Indicates a change this printing.

Use only the parts marked "x" in the column under the heading number called for in the model index page.

ITEM	DESCRIPTION	PART NO.	QTY.	1	2	3	4	5	6	7	8	9
1A	Rear Panel	S16816-12	1	X	X							
1B	Stainless Screw	S24739-1	4	X	X							
1C	Stainless Screw	S24739-1	8	X	X							
2A	Input Box Assembly	S24499	1	X	X							
2B	Stainless Screw	S24739-1	3	X	X							
3	Contactor Baffle	M18711-1	1	X	X							
4A	Transformer Assembly, (230/460/575)	M12390-68	1	X	X							
4B	Plain Washer	S9262-27	3	X	X							
4C	Lock Washer	E106A-1	3	X	X							
5A	Input Access Door	M18102-1	1	X	X							
5B	Stainless Screw	S24739-1	2	X	X							
6A	Rating Plate	S24151-2	1	X	•							
6A	Rating Plate	S24151	1	•	X							
6B	Fastener Button	T14659-2	4	X	X							
7A	Contactor	M18712-1	1	X	X							
7B	Thread Forming Screw	S9225-36	3	X	X							
8	Bushing	T14614-2	1	X	X							
9	5/16-18 Hex Jam Nut	CF000130	2	X	X							
10	Decal-Earth Ground Connection	T13260-4	1	X	X							
11	Connection Diagram (230/460/575)	M15666	1	X	X							
12	Decal-Ground	T13259	1	X	X							
13	Identification Sticker (CR) (Not Shown)	T14798-1	1	X	X							
14	Reconnect Panel Assembly (230/460/575)	M15002-4	1	X	X							
14A	Reconnect Panel (230/460/575)	M15001-4	1	X	X							
14B	Carriage Bolt	T11827-23	As Req'd	X	X							
14C	Tooth Lock Washer (Not Shown)	T9860-6	As Req'd	X	X							
14D	1/4-20 Hex Nut (Not Shown)	CF000017	As Req'd	X	X							
14E	1/4-20 Brass Hex Nut (Not Shown)	CF000300	3	X	X							
14G	Heavy Hex Nut	T10940-5	As Req'd	X	X							
14H	E2521/1-.010-5.13-7.20	CI000620	1	X	X							
14J	Grommet Strip (Not Shown)	T12823-13	1	X	X							

# Base, Fan, Sides & Roof

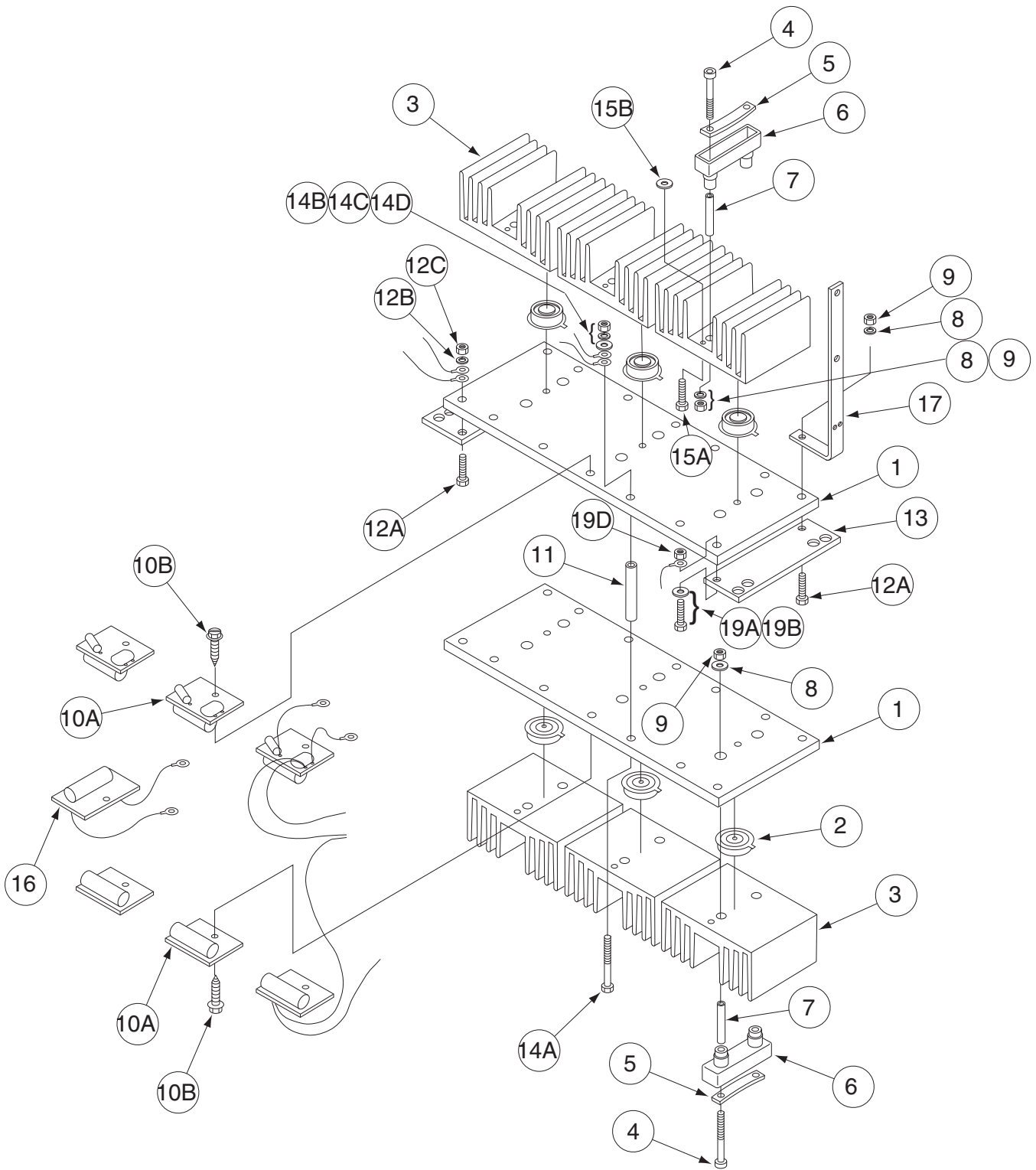


# Indicates a change this printing.

Use only the parts marked "x" in the column under the heading number called for in the model index page.

ITEM	DESCRIPTION	PART NO.	QTY.	1	2	3	4	5	6	7	8	9
1	Base Welded Assembly	L11072-1	1	X	X							
2A	Case Side	L11070-1	2	X	X							
2B	Thread Forming Screw	S9225-68	14	X	X							
3	Cover Seal	S12934	1	X	X							
4A	Roof Assembly	M12352-24	1	X	•							
4A	Roof Assembly	L4983-13	1	•	X							
4B	Stainless Screw	S24739-3	10	X	X							
5	Decal-Warning	M16196	1	X	X							
9	Wiring Diagram (230/460/575)	G3506-1	1	X	X							
12	Decal - Ground (Not Shown)	T13259	1	X	X							
14	Fan Baffle Assembly, Includes: (Code 10700 & Above)	M16526-3	1	X	X							
14A	Fan Baffle	L6247-7	1	X	X							
14B	Fan Motor	M9983-6	1	X	X							
14C	#10-32 Hex Nut or #8-32 Hex Nut	CF000011, CF000042	4	X	X							
14D	Lock Washer	E106A-1	8	X	X							
14E	Plain Washer	S9262-27	8	X	X							
14F	Fan	M6819-9	1	X	X							
14G	Fan Motor Mounting Bracket	M16525-2	2	X	X							
14H	Self Tapping Screw	S8025-65	2	X	X							
14J	Self Tapping Screw	S8025-65	1	X	X							
15	Side Decal (Not Shown)	S24743	2	X	X							
16	Decal (Auxiliary Power) (Not Shown)	S24742	1	X	X							
17	Decal - Caution (Not Shown)	S13504	1	X	X							

# Rectifier Assembly

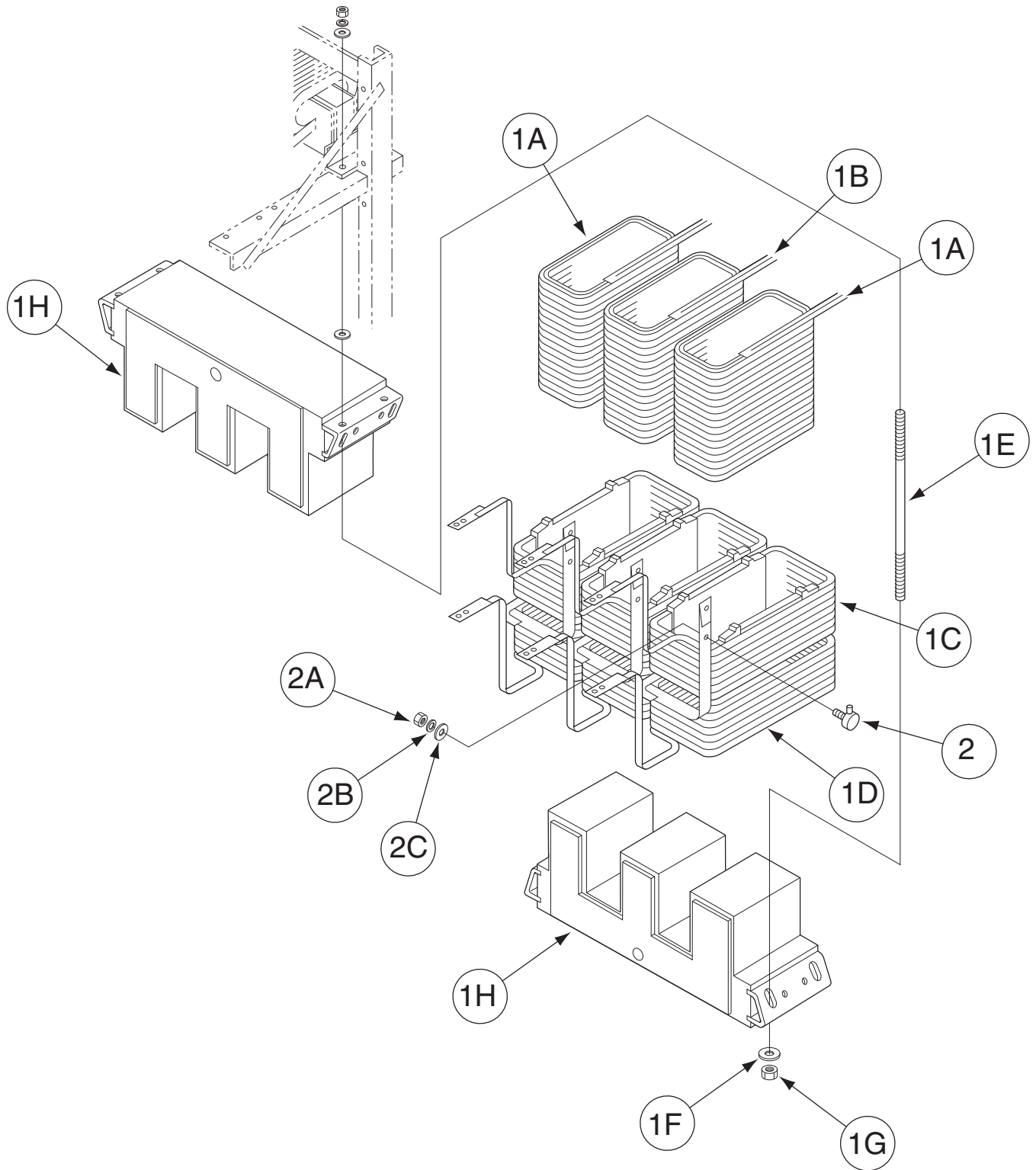


# Indicates a change this printing.

Use only the parts marked "x" in the column under the heading number called for in the model index page.

ITEM	DESCRIPTION	PART NO.	QTY.	1	2	3	4	5	6	7	8	9
	3 Phase Bridge Assembly: Includes:	L10879	1	X								
1	Rectifier Heat Sink	L10875	2	X								
2	SCR	M12283-5	6	X								
3	Heat Sink	M12314-3	6	X								
4	Socket Head Cap Screw	T9447-44	12	X								
5	Clamp Spring	S14724-A	6	X								
6	SCR Clamp	S14724-B	6	X								
7	E1876-.406-1.75	NSS	12	X								
8	Plain Washer	S9262-98	12	X								
9	1/4-20 Hex Nut	CF000017	12	X								
10A	Snubber Assembly	S16182-3	6	X								
10B	Thread Forming Screw	S9225-8	6	X								
11	Spacer	S7748-96	4	X								
12A	5/16-18 x 1.00 Hex Head Cap Screw	CF000062	4	X								
12B	Lock Washer	E106A-14	4	X								
12C	5/16-18 Hex Nut	CF000029	4	X								
13	Rectifier Mounting Bracket	S24205	2	X								
14A	5/16-18 x 2.50 Hex Head Cap Screw	CF000187	4	X								
14B	Plain Washer	S9262-30	8	X								
14C	Lock Washer	E106A-14	4	X								
14D	5/16-18 Hex Nut	CF000029	4	X								
15A	5/16-18 x 1.25 Hex Head Cap Screw	CF000028	6	X								
15B	Plain Washer	S9262-30	6	X								
16	Snubber Assembly	S16182-2	1	X								
17	Shunt Assembly	M19044-1	1	X								
18	Plug & Lead Assembly (Not Shown)	S18250-640	1	X								
19A	5/16-18 x 1.00 Hex Head Cap Screw	CF000062	2	X								
19B	Plain Washer	S9262-30	2	X								
19C	Lock Washer (Not Shown)	E106A-14	2	X								
19D	5/16-18 Hex Nut	CF000029	2	X								

# Transformer Assembly



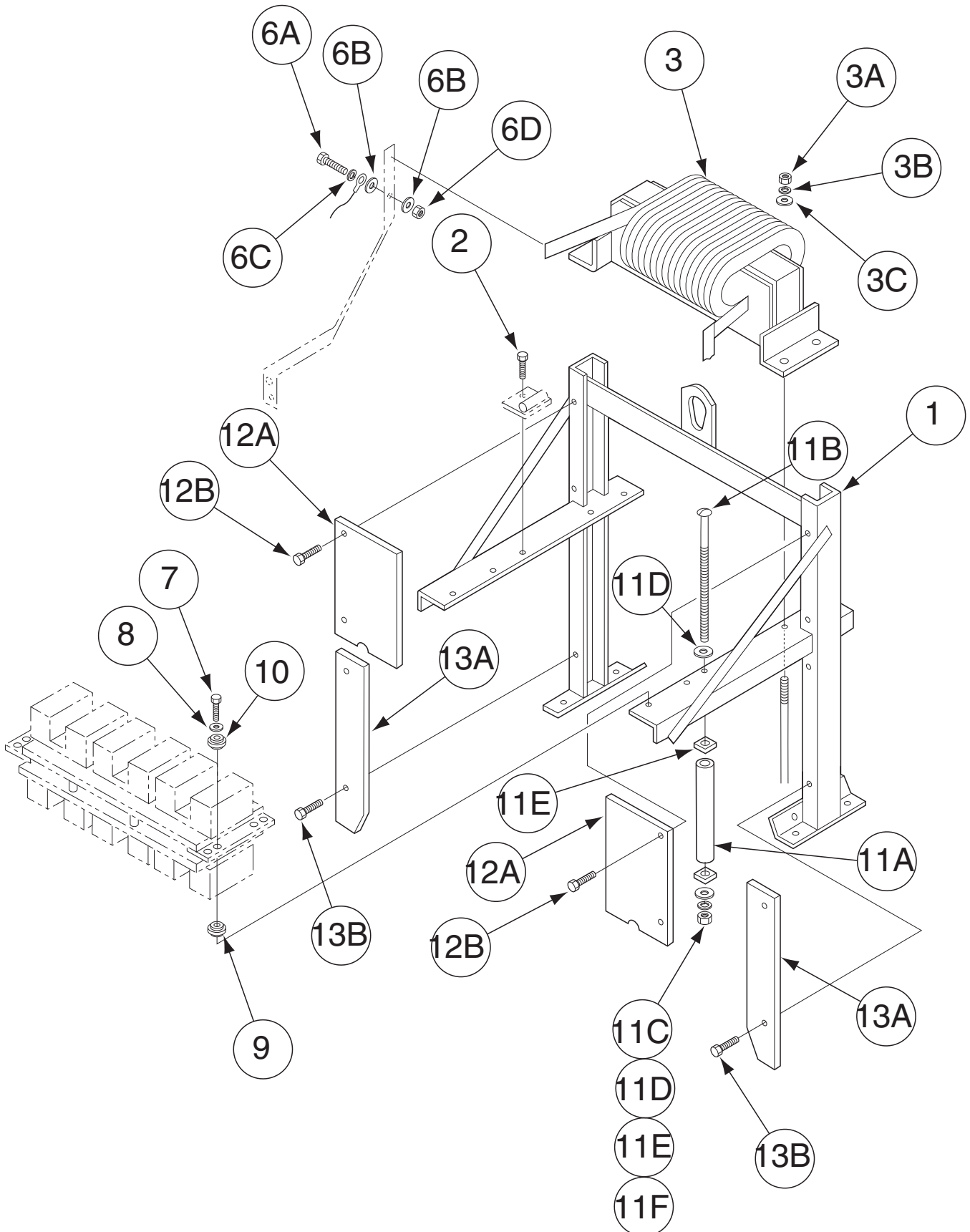


# Indicates a change this printing.

Use only the parts marked "x" in the column under the heading number called for in the model index page.

ITEM	DESCRIPTION	PART NO.	QTY.	1	2	3	4	5	6	7	8	9
1	Transformer Assembly, Includes: (1A thru 1H)	L6196-17	1	X								
1A	Left & Right Primary Transformer Coils	L7813-3	1	X								
1B	Center Primary Transformer Coil	L7813-4	1	X								
1C	Top Secondary Coil	M13904-1	3	X								
1D	Bottom Transformer Coil	M13904-2	3	X								
1E	Threaded Rod	T9781-51	4	X								
1F	Plain Washer	S9262-120	12	X								
1G	3/8-16 Hex Nut	CF000067	8	X								
1H	Transformer Lamination Assembly	L3841-29	2	X								
2	Thermostat (Secondary)	T13359-7	1	X								
2A	#6-32 Hex Nut	CF000005	1	X								
2B	Lock Washer	E106A-13	1	X								
2C	Plain Washer	S9262-3	1	X								

# Lift Bale & Choke Assembly



# Indicates a change this printing.

Use only the parts marked "x" in the column under the heading number called for in the model index page.

ITEM	DESCRIPTION	PART NO.	QTY.	1	2	3	4	5	6	7	8	9
1	Lift Bale Welded Assembly	G3459-A	1	X								
2	Self Tapping Screw	S8025-79	1	X								
3	Choke & Lamination Assembly, Includes: Edge Wound Coil	M13885-1	1	X								
		M9866-118	1	X								
3A	3/8-16 Hex Nut	CF000067	4	X								
3B	Lock Washer	T9860-4	4	X								
3C	Plain Washer	S9262-120	4	X								
4	Secondary Lead (Not Shown)	S19109-1	1	X								
5	Negative Output Lead (Not Shown)	S19109-2	1	X								
6A	3/8-16 x 1.00 Hex Head Cap Screw	CF000019	1	X								
6B	Plain Washer	S9262-4	2	X								
6C	Lock Washer	E106A-16	1	X								
6D	3/8-16 Hex Nut	CF000067	1	X								
7	Thread Forming Screw	S9225-17	4	X								
8	Plain Washer	S9262-98	4	X								
9	Insulator	T11267-B	4	X								
10	Insulator	T11267-A	4	X								
11A	Resistor	S10404-79	1	X								
11B	#10-24 x 7.50 Round Head Screw	CF000191	1	X								
11C	Plain Washer	S9262-27	2	X								
11D	Lock Washer	E106A-1	1	X								
11E	Insulating Washer	T4479-A	2	X								
11F	#10-24 Hex Nut	CF000010	1	X								
12A	Choke Side Baffle	T14445	2	X								
12B	Thread Forming Screw	S9225-45	4	X								
13A	Insulation	S24582	2	X								
13B	Thread Forming Screw	S9225-45	4	X								
14	Choke Baffle (Not Shown)	S16642	2	X								

# NOTES

---

RED-D-ARC DC-600

**Red-D-Arc**