



TM-251387G 2016-11

Eff w/Serial No. MB220137A

**Processes**



Multiprocess Welding

**Description**



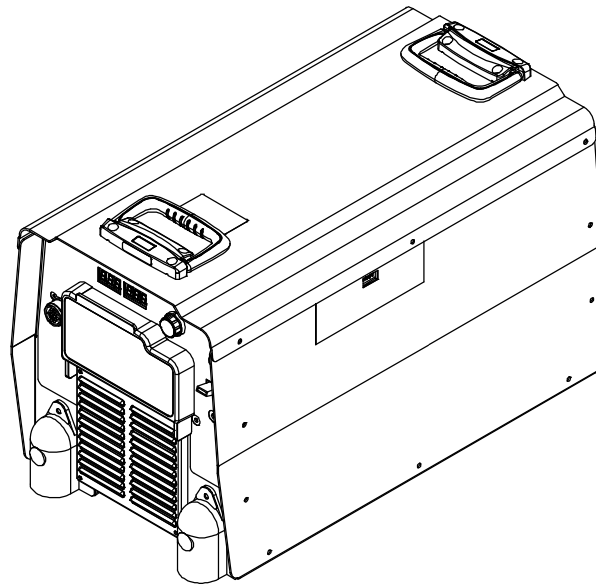
Arc Welding Power Source

# XMT<sup>®</sup> 450 CC/CV

## PARTS LIST

Eff w/Serial No.  
MB220137A And Following

For OM-251387 Revisions A Thru P



Visit our website at

[www.MillerWelds.com](http://www.MillerWelds.com)

# SECTION 13 – PARTS LIST FOR SERIAL NO. MB220137A AND FOLLOWING

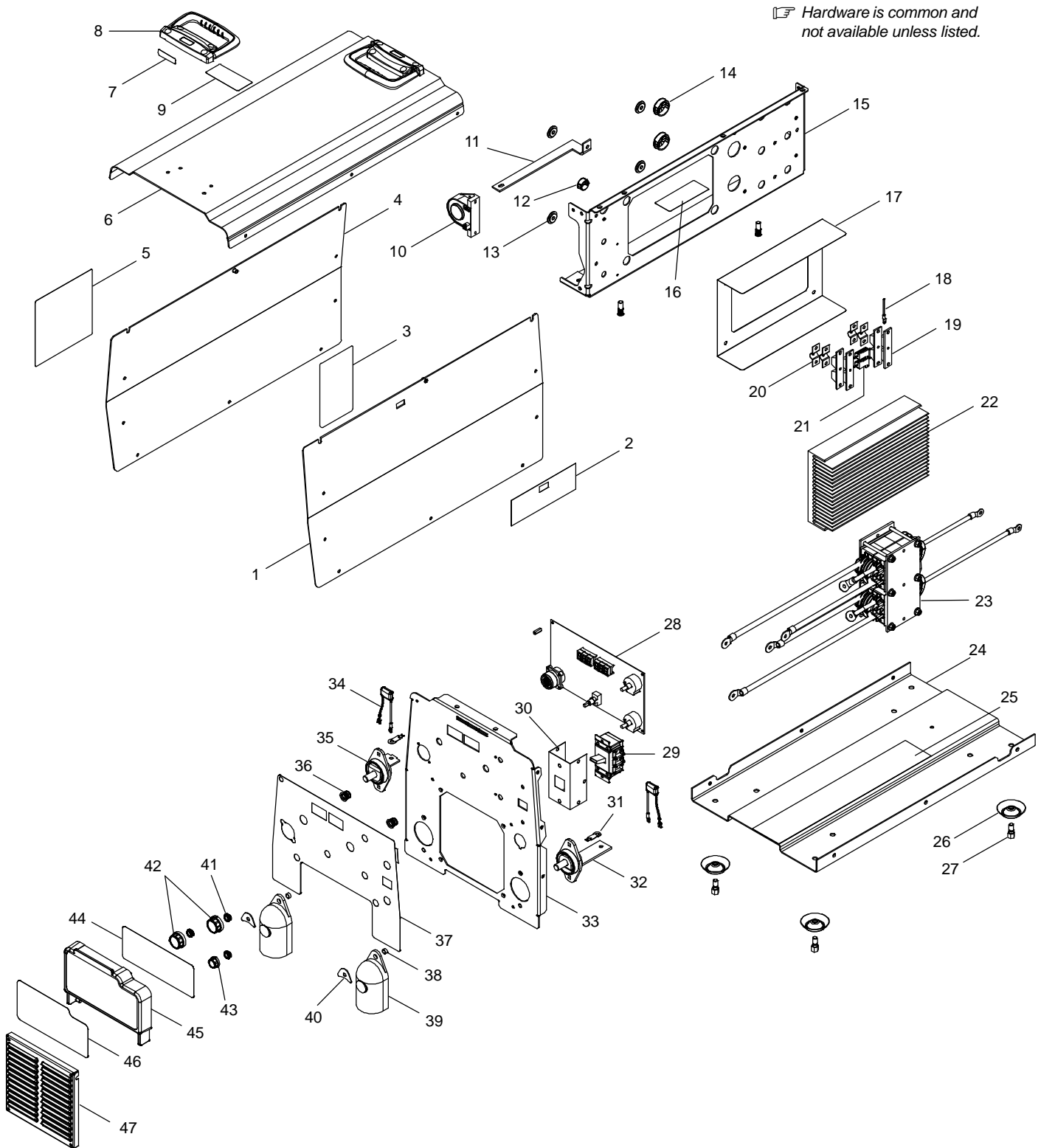
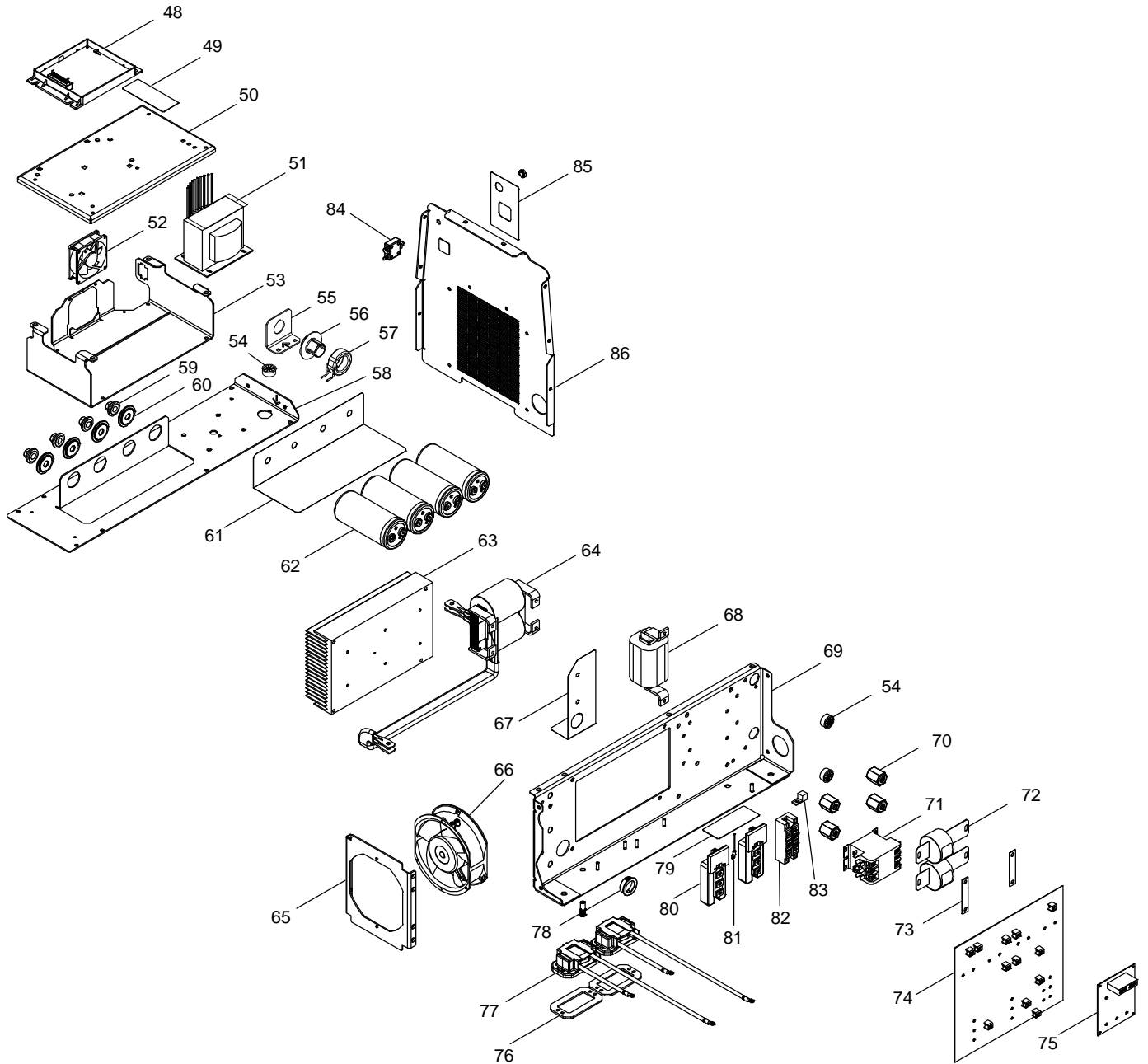


Figure 13-1. Parts Assembly

# Eff w/Serial No. MB220137A And Following



# Eff w/Serial No. MB220137A And Following

Item No.	Dia. Mkgs.	Part No.	Description	Quantity
<b>Figure 13-1. Parts Assembly</b>				
1		249804	Panel, Side Rh W/Nut Insert (Includes)	1
		178551	Insulator, Side	1
2		222317	Label, Warning Match Input Power To Voltage Shown (Prior to MG512507U)	1
2		276297	Label, Warning Match Input Pwr To Voltage (EN/FR/SP) (Eff w/MG512507U)	1
3		237155	Label, Important Input Power/Relink Connections	1
4		249803	Panel, Side Lh W/Nut Insert (Includes)	1
5		134327	Label, Warning General Precautionary Static&Wire Fe (Prior to MG512507U)	2
5		274964	Label, Warning General Precautionary (EN/FR/SP) (Eff w/MG512507U)	1
6		+249111	Cover, Top	1
7		135483	Label, Important Remove These Two Handle Screws	2
8		249848	Handle, Rubberized Carrying	2
9		138442	Label, Caution Falling Equipment Can Cause Injury (Prior to MG512507U)	2
9		275316	Label, Warning Falling Equipment (EN/FR/SP) (Eff w/MG512507U)	1
10	HD1	168829	Transducer, Current 1000A Module Max Open Loop	1
		250063	Cable Assy, Current Feedback (Prior to MC480044U)	1
	L5	254680	Cable Assy, Current Feedback W/Ferrite Core (Eff w/MC480044U)	1
	PLG 9, 19	115094	Housing Plug+Pins (Service Kit)	2
11		183827	Bus Bar, Output	1
12		154408	Bushing, Snap-In Nyl .562 Id X .875 Mtg Hole Cent	1
13		196355	Insulator, Screw	4
14		179276	Bushing, Snap-In Nyl 1.000 Id X 1.375 Mtg Hole Cent	2
15		+249527	Windtunnel, Lh W/Studs	1
16		218004	Label, Warning Electric Shock/Exploding Parts (Prior to MG512507U)	1
16		219844	Label, Warning Electric Shock/Exploding Parts-Wdles (Eff w/MG512507U)	1
17		249618	Insulator, Heat Sink	1
18	RT1	199798	Thermistor, NTC 30K OHM @ 25 Deg C 18.00In2500V	1
19		201531	Kit, Diode Power Module	4
20		199840	Bus Bar, Diode	4
21		232296	Resistor/Capacitor Assy	2
22		204165	Heat Sink, Rect Dual Diode	1
23	T1	249096	XFMR, HF (Prior to ME322594U)	1
23	T1	263252	XFMR, HF (Eff w/ME322594U)	1
24		249110	Base	1
25		269262	Insulator, Base/Bus Bar (Eff w/MF142506U)	1
26		229325	Foot, Mtg Unit	4
27		176736	Screw, Mtg Foot	4
28	PC3	251315	Circuit Card Assy, Front Pnl & Dspl W/Program	1
	PLG 18	250065	Plug, W/Leads (Voltage Feedback) RC2	1
	PLG 21	136810	Housing Plug+Pins (Service Kit)	1
	RC 21	167640	Housing Plug+Pins (Service Kit)	1
29	S1	244920	Switch, Tgl 3Pst 40A 600VAC Scr Term Wide Tgl	1
30		176226	Insulator, Switch Power	1
31		010381	Connector, Rectifier	2
32		182707	Terminal, Pwr Output Black (Prior to MG512507U)	1
32		274844	Terminal, Pwr Output Black (Eff w/MG512507U)	1
33		251596	Panel, Front W/Studs	1
34	C7, 8	222488	Capacitor Assy,	2
35		181245	Terminal, Pwr Output Red (Prior to MG512507U)	1
35		274848	Terminal, Pwr Output Red (Eff w/MG512507U)	1
36		216112	Fastener, Panel Receptacle Quick Access	2
37		251142	Nameplate	1
38		181169	Spacer, Output Stud	2
39		186621	Boot, Generic Output Stud	2

## Eff w/Serial No. MB220137A And Following

Item No.	Dia. Mkgs.	Part No.	Description	Quantity
<b>Figure 13-1. Parts Assembly (Continued)</b>				
40		180735	Washer, Output Stud	2
41		231468	Nut, 375-32 .56Hex .22h Brs Conical Knurl	3
42		174991	Knob, Pointer 1.250 Dia X .250 Id W/Spring Clip-.21	2
43		174992	Knob, Pointer .840 Dia X .250 Id W/Spring Clip-.21	1
44		251154	Label, Process	1
45		246919	Door, W/Quick Access Ball Fasteners	1
46			Nameplate (Order By Model And Serial Number)	1
47		175138	Box, Louver	1
48	PC1	251592	Circuit Card Assy, Control W/Program (Prior to MG512507U)	1
48	PC1	260544	Circuit Card Assy, Control W/Program 230/460V (Eff w/MG512507U)	1
	PLG 2, 5, 7, 8, 10	131054	Housing Plug+Pins (Service Kit) RC2, 5, 7, 8, 10	4
	PLG 3	130203	Housing Plug+Pins (Service Kit) RC3	1
	PLG 4	115093	Housing Plug+Pins (Service Kit) RC4	1
	PLG 6	115092	Housing Plug+Pins (Service Kit) RC6	1
	PLG 9	115094	Housing Plug+Pins (Service Kit) RC9	1
49		218004	Label, Warning Electric Shock/Exploding Parts (Prior to MG512507U)	3
49		219844	Label, Warning Electric Shock/Exploding Parts-Wdles (Eff w/MG512507U)	3
50		+249237	Panel, Mtg PC Card	1
51	T2	201684	XFMR, Control 230/460 VAC Pri 305 VA 60 Hz (Prior to ME432589U)	1
51	T2	260655	XFMR, Control 230/460 VAC Pri 298 VA 60 Hz (Eff w/ME432589U)	1
	RC14	166679	Plug+Pins (Service Kit) (Prior to ME432589U)	1
	RC14	115090	Housing Plug+Pins (Service Kit) (Eff w/ME432589U)	1
52	FM2	183918	Motor, Fan 24VDC 3000 RPM 43 Cfm W/10 Ohm Resistor	1
53		249236	Bracket, Mtg Capacitor/PC Board/Fan	1
54		153403	Bushing, Snap-in Nyl .750 Id X 1.000 Mtg Hole Cent (Eff w/MC010228A)	2
55		255855	Bracket, Mtg Ct (Eff w/MC010228A)	1
56		177547	Bushing, Snap-in Nyl Ct-Mount 1.093 Mtg Hole	1
57	CT1	181271	XFMR, Current 500 Turn	1
58		251137	Windtunnel, Cover	1
59		217040	Nut, Nylon M12 Thread Capacitor Mounting	4
60		251701	Adapter, Nut Capacitor	4
61		250260	Insulator, Capacitor Mtg	1
62	C3, 4, 5, 6	256680	Kit, Capacitor 230/460 VAC	1
63		179930	Heat Sink, Power Module	1
64	Z1	180029	Stabilizer, Output (Prior to MF042617U)	1
64	Z1	270446	Stabilizer, Output (Eff w/MF042617U)	1
65		251220	Shroud, Fan	1
66	FM1	175084	Fan, Muffin 24VDC 3000 RPM 255 Cfm 6.378 Mtg Holes	1
67		181925	Insulator, Stabilizer Lead	1
68		180026	Inductor, Input	1
69		+249105	Windtunnel, Rh W/Studs	1
70		025248	Stand-off, Insul .250-20 X 1.250 Lg X .437 Thd	4
71	W1	180270	Contact, Def Prp 40A 3P 24VAC Coil W/Boxlug	1
72	C1, 2	230272	Capacitor, Polyp Film .34 UF 1000 VRMS +/-10%	2
73		185992	Bus Bar, Capacitor	2
74	PC2	236049	Circuit Card Assy, Interconnecting With Components	1
	PLG 11	131056	Housing Plug+Pins (Service Kit) RC7, 8	1
	PLG 12	115093	Housing Plug+Pins (Service Kit) RC2	1
	PLG 13	115091	Housing Plug+Pins (Service Kit) RC9	1
75	PC6	249114	Circuit Card Assy, Relink	1
76		218566	Gasket, Inductor Mounting E70 Ferrite Core	2
77		249108	Inductor, DI/DT (Prior to ME322594U)	2
77		256646	Inductor, DI/DT (Eff w/ME322594U)	2
78		057358	Bushing, Snap-in Nyl 1.000 Id X 1.375 Mtg Hole	1

## Eff w/Serial No. MB220137A And Following

Item No.	Dia. Mkgs.	Part No.	Description	Quantity
<b>Figure 13-1. Parts Assembly (Continued)</b>				
... 79		218004	Label, Warning Electric Shock/Exploding Parts (Prior to MG512507U)	1
... 79		219844	Label, Warning Electric Shock/Exploding Parts–Wdles (Eff w/MG512507U)	1
... 80	PM1, 2	235309	Kit, Transistor IGBT Module	1
		250048	Plug W/Leads Gate (Prior to MD140014U)	1
		260751	Plug W/Leads Gate (Eff w/MD140014U)	1
	PLG 3	130203	Housing Plug+Pins (Service Kit) RC3 On PC1	1
	PLG 15, 16	115094	Housing Plug+Pins (Service Kit) RC1 On PC4, 5	2
... 81	RT2	199798	Thermistor, NTC 30K Ohm @ 25 Deg C 18.00In2500V	1
... 82	SR1	184260	Kit, Diode Power Module	1
... 83		145743	Lug, Univ W/Scr 600V 2–14 Wire .250 Stud	1
... 84	CB2	083432	Supplementary Pro, Man Reset 1P 10A 250VAC Frict	1
... 85		249830	Nameplate, Rear W/Out Aux	1
... 86		+249119	Panel, Rear	1
		262913	Kit, Strain Relief 1.250 (Eff w/MF442501U)	1

+When ordering a component originally displaying a precautionary label, the label should also be ordered.

**To maintain the factory original performance of your equipment, use only Manufacturer's Suggested Replacement Parts. Model and serial number required when ordering parts from your local distributor.**



**Miller Electric Mfg. Co.**

An Illinois Tool Works Company  
1635 West Spencer Street  
Appleton, WI 54914 USA

**International Headquarters—USA**

USA Phone: 920-735-4505 Auto-Attended  
USA & Canada FAX: 920-735-4134  
International FAX: 920-735-4125

For International Locations Visit  
[www.MillerWelds.com](http://www.MillerWelds.com)

